

Magnetic gripper

SGM-HT-HP 40X121

Part no.:10.01.17.00544

<https://www.schmalz.com/10.01.17.00544>

Homepage > Vacuum Technology for Automation > Vacuum Components > Special Grippers > Magnetic Grippers > Magnetic Grippers SGM-HP/HT > SGM-HT-HP 40X121

Magnetic gripper for handling metal sheets with holes



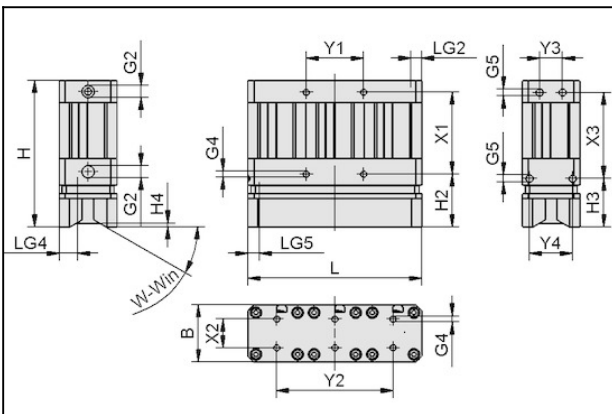
Size: 40X121

Pressure range (operating pressure):

2.5 ... 6.0 bar

Holding force max: 1170 N

Design Data



Attribute	Value
B	40 mm
G2	G1/8"-F
G4	M5-F
G5	M6-F
H	101.7 mm
H2	36.7 mm
H3	33.6 mm
H4	2.6 mm
LG2	7 mm
LG4	7 mm
LG5	6.5 mm
X1	57 mm
X2	20 mm

Contact to Schmalz

J. Schmalz GmbH | Johannes-Schmalz-Straße, 72293 Glatten, Deutschland | +49 7443 2403-102 | customercenter@schmalz.de

Magnetic gripper

SGM-HT-HP 40X121

Part no.:10.01.17.00544

<https://www.schmalz.com/10.01.17.00544>



Attribute	Value
Y1	40 mm
Y2	81 mm

Technical Data

Attribute	Value
Holding force max. without friction ring	1,170 N
Sheet thickness opt f. holding force max.	4 mm
Holding force 2mm-sheet without friction ring	650 N
Remaining force	1.8 N
Pressure range (operating pressure)	2.5 ... 6.0 bar
Installation position	Any
Control valve	Bistable
Operating temperature	5 ... 150 °C
Weight	1,500 g
Product family	SGM-HP/-HT

Note: The specified holding forces are static values under optimal conditions (primarily depending on material and surface characteristics). For system designs, a safety factor of $S = 3$ must be applied. Holding forces SGM-HT-HP at 20 °C; can be used for workpiece temperatures up to 350 °C (depending on process conditions), the influence of temperature can reduce holding forces by up to 30%

Accessories

Contact to Schmalz

J. Schmalz GmbH | Johannes-Schmalz-Straße, 72293 Glatten, Deutschland | +49 7443 2403-102 | customercenter@schmalz.de

Magnetic gripper

SGM-HT-HP 40X121

Part no.:10.01.17.00544

<https://www.schmalz.com/10.01.17.00544>



STV-GE G1/8-AG 6 HT

Part no.10.08.02.00389

Push-in Fitting, straight

Thread G1: G1/8"-M

External hose diameter: 6 mm

Material: Brass

Surface: nickel plated

Ambient temperature: -50 ... 200 °C

Type: HT



STV-W G1/8-AG 6 HT

Part no.10.08.02.00391

Push-in Fitting, swivelling elbow

Thread G1: G1/8"-M

External hose diameter: 6 mm

Material: Brass

Surface: nickel plated

Ambient temperature: -50 ... 200 °C

Type: HT



VSL 6-4 PTFE

Part no.10.07.09.00157

Hose for vacuum and compressed-air systems

External diameter D: 6 mm

Internal diameter d: 4 mm

Length (max): 50 m

Material: Polytetrafluorethylene

Installation radius (min): 35 mm

Colour: natur

Pressure range (operating pressure):

-0.95 ... 10.00 bar

Ambient temperature: -190 ... 260 °C