

LAMP® GH-G07 STAINLESS STEEL GRAVITY HINGE FOR GLASS DOOR INSTALLATION MANUAL

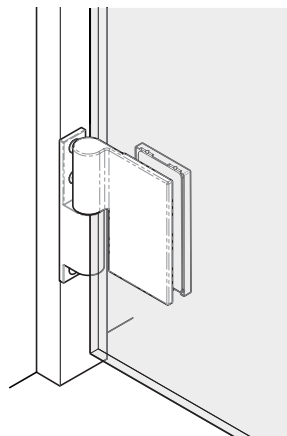
Thank you for selecting our product. Before starting installation, please read this manual thoroughly to ensure correct installation. Please keep this manual at hand for future reference.

ABOUT THE PRODUCT

- Usable in wet conditions such as shower rooms.
- Within 70 degrees from the closed position the door will automatically close.
- From 70 degrees to 160 degrees from the closed position the door will automatically open.

SPECIFICATIONS

	per 2 hinges	per 3 hinges
Max. Door height	2100 mm	2400 mm
Max. Door width	800 mm	850 mm
Glass thickness	8–12 mm	
Max. Door weight	45 kg	50 kg



FOR YOUR SAFE WORK AND CORRECT INSTALLATION

Meaning of symbols



⚠ Caution: If not followed, injury or damage may result.

- ⚠ It is necessary to manufacture the frame with sufficient strength so that it endures the weight of the door and any impact upon opening/closing the door. Only use designated screws and ensure that they are fastened firmly. A frame with poor strength or loose screws might result in the door falling and causing injury.
- ⊘ Do not try to use this product for anything other than its original purpose. Do not use any part for applications outside of its specification.
- ⚠ Make sure to follow the designated dimensions, specifications, and horizontal/vertical angles. Make sure that the cabinet is not warped, since it may cause failure.
- ⚠ This product is a part for architectural fittings. After installation, make sure to test the finished product thoroughly to ensure that it is well-functioning and safe. Please inform the end user about general precautions and safety to prevent improper use.
- ⚠ Use a tempered glass. Using shatter-proof film is recommended. For areas where the glass brackets grip, make sure to remove the shatter-proof film before installing.
- ⚠ Make sure to check the screws for slack at regular intervals (one month from first usage, half a year, and then one time every year is recommended).

TOOL REQUIRED

- Philips screwdriver #2

- Allen key 4 mm

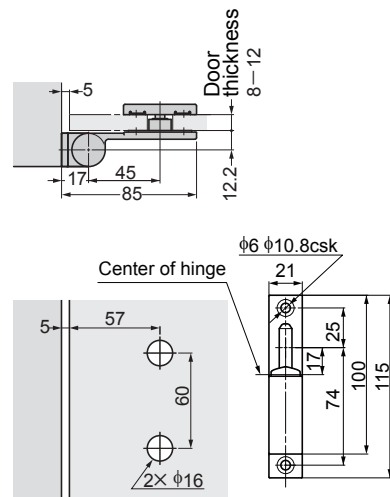
SCREWS

- Provided screw
Countersunk head screw M5x14 ... 3 pcs/hinge
(Stainless steel, polished)
- Sold separately
Countersunk head tapping screw 5x50
(Stainless steel, polished))

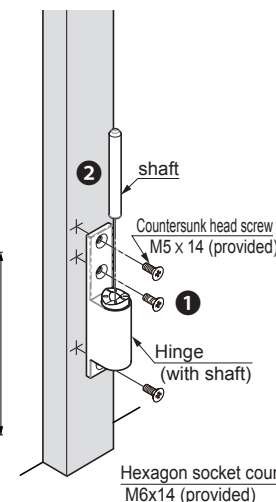


INSTALLATION

1 Dimensions

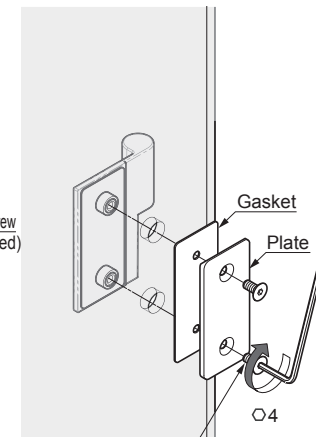


2 Mounting Hinge onto Doorjamb

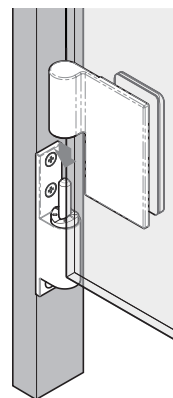


Hexagon socket countersunk head screw M6x14 (provided)

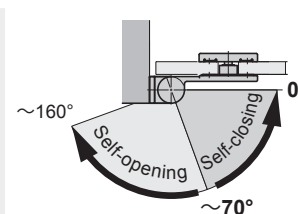
Tightening torque: 6 Nm



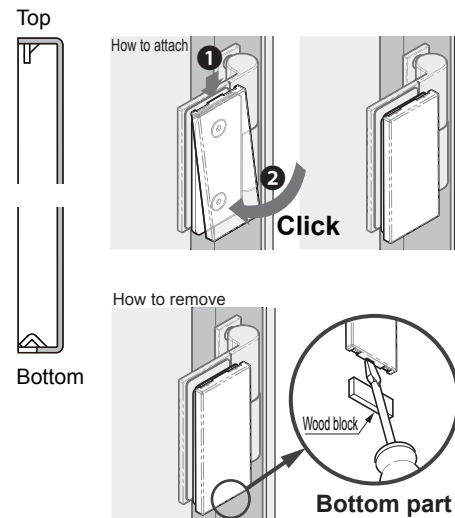
4 Hanging Door



5 Operation Check



6 Attaching/removing Cover



SUGATSUNE KOGYO CO.,LTD
Tokyo, JAPAN
Phone: +81 (0)3 3866 2260 E-mail:export@sugatsune.co.jp

SUGATSUNE SHANGHAI Co., LTD
Shanghai, CHINA
Phone: +86 21 3632 1858 E-mail:lamp@sugatsune.com.cn

SUGATSUNE AMERICA, INC
California, USA
Phone: +1 310 329 6373 E-mail:sales@sugatsune.com

SUGATSUNE KOGYO (UK) LTD
Reading, UK
Phone: +44 118 9272 955 E-mail:sales@sugatsune.co.uk

SUGATSUNE EUROPE GmbH
Düsseldorf, GERMANY
Phone: +49 211 53812900 E-mail:sales@sugatsune.eu

SUGATSUNE CANADA, INC.
Chicago, USA
Phone: +1 312 461 1081 E-mail:chicago showroom@sugatsune.com

SUGATSUNE KOGYO INDIA PRIVATE LIMITED
Mumbai, INDIA
Phone: +91 22 28314490/91 E-mail:sales@sugatsune.in

SUGATSUNE AMERICA, INC.
Chicago, USA
Phone: +1 312 461 1081 E-mail:chicago showroom@sugatsune.com