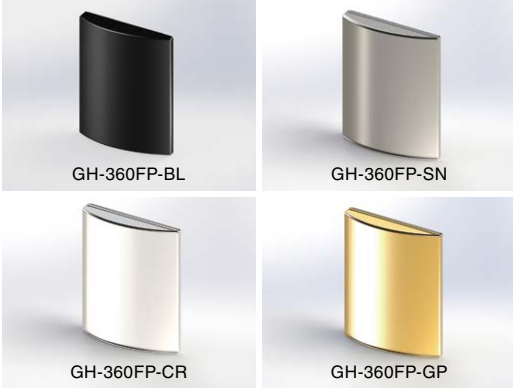


LAMP® Glass door face plate GH-360FP



- Glass door face plate designed specifically for the Olympia hinge.
(Not suitable for the H360 hinge).
- For tempered glass doors.
- Use the screws supplied and tighten to 0.75~1.5N.m

<Accessory>

- Cross Recessed Flat Head Machine Screw M4 x 14

	Item code	Item name	Finish / Colour	Material
NEW CAD	G 160-043-631	GH-360FP-CR	Chrome plating	Zinc Alloy (ZDC) Polyacetal (POM)
NEW CAD	G 160-043-632	GH-360FP-SN	Satin nickel	
NEW CAD	G 160-043-724	GH-360FP-GP	24K Gold plating	
NEW CAD	G 160-043-633	GH-360FP-BL	Black	

Body

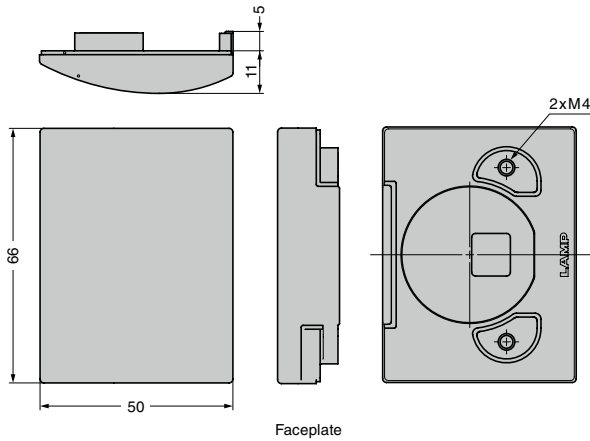
Mounting plate

Option parts

Standard doors

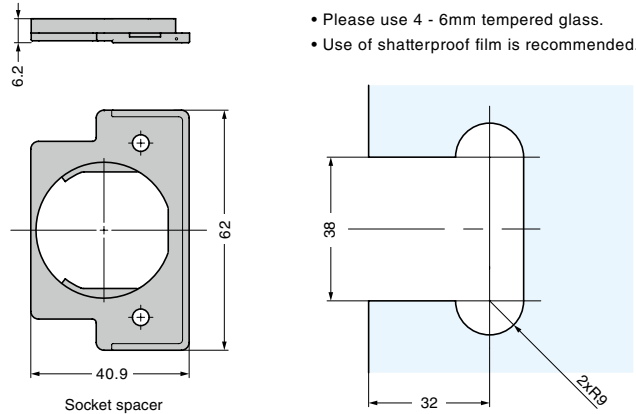
Thick doors

Glass doors



Cut Out Dimensions

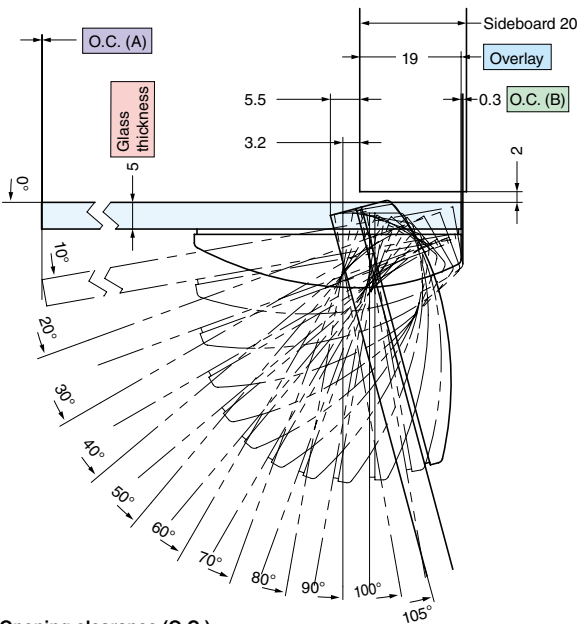
- Please use 4 - 6mm tempered glass.
- Use of shatterproof film is recommended.



Side board and face plate relationship

► For a 5mm door, 20mm sideboard and 19mm overlay.

Locus chart S=7/10 Overlay (19mm)



Opening clearance (O.C.)

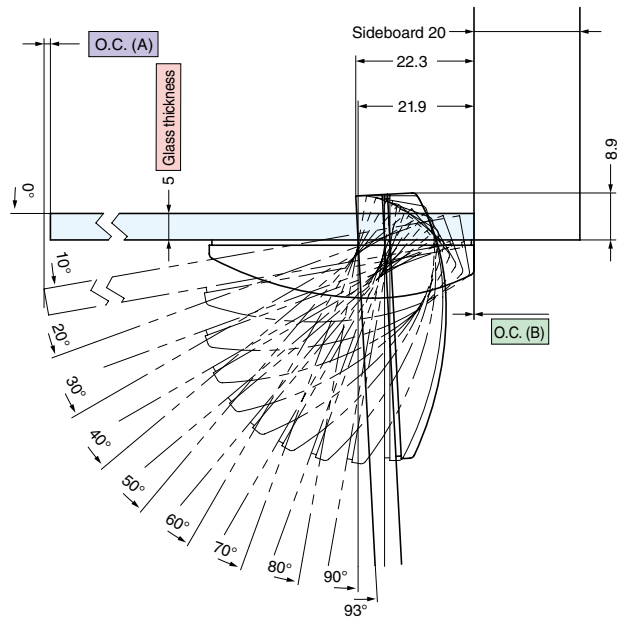
Glass thickness	4	5	6
O.C. (B)	0.2	0.3	0.5

Opening clearance (A) and door width relationship (for 5mm door)

Glass width	300	400	500	600
O.C. (A)	0.07	0.05	0.04	0.03

► For a 5mm door, 20mm sideboard and inset installation.

Locus chart S=7/10 Inset



Opening clearance (O.C.)

Glass thickness	4	5	6
O.C. (B)	0	0	0

Opening clearance (A) and door width relationship (for 5mm door)

Glass width	300	400	500	600
O.C. (A)	0.34	0.25	0.19	0.16