

Robots-Set ECBPM

ROB-SET VISION ECBPi RC-160 SM UR

Part no.:10.01.50.00016

<https://www.schmalz.com/10.01.50.00016>

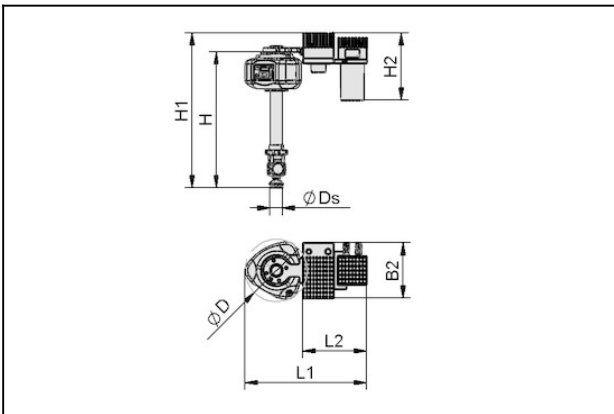
Homepage > Vacuum Technology for Automation > Vacuum Components > Vacuum Generators > Electrical Vacuum Generators > Vision & Handling Sets 3D-R > ROB-SET VISION ECBPi RC-160 SM UR

Complete set for connecting and integrating the CobotPump ECBPi to lightweight robots



Construction: Vision
 for: CobotPump
 with: RC-Visard 160
 with: Silhouette Match
 for: Universal Robots
 Construction: stationary use

Design Data



| Attribute | Value |
|-----------|--------|
| B2 | 230 mm |
| D | 260 mm |
| H | 330 mm |
| H1 | 365 mm |
| H2 | 130 mm |
| L2 | 158 mm |
| L1 | 299 mm |

Technical Data

| Attribute | Value |
|-----------|------------------|
| for | Universal Robots |

Contact to Schmalz

Robots-Set ECBPM

ROB-SET VISION ECBPi RC-160 SM UR

Part no.:10.01.50.00016

<https://www.schmalz.com/10.01.50.00016>



| Attribute | Value |
|--------------|--------|
| Construction | VISION |
