

Schmalz X-Pump

SXMPi 30 NC H M12-5

Part no.:10.02.02.05300

<https://www.schmalz.com/10.02.02.05300>



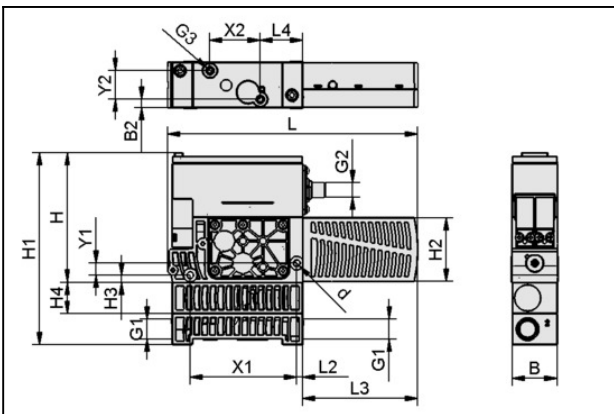
Homepage > Vacuum Technology for Automation > Vacuum Components > Vacuum Generators > Compact Ejectors > Compact Ejectors SXMPi
Class B > SXMPi 30 NC H M12-5

Compact ejector with Condition Monitoring, power blow-off function and pneu. air-saving function



Nozzle size: 3,0 mm
Control: Normally closed
Pneum. Connection: Horizontal
Electrical connection:
Male connect M12, 5 pol
Suction rate (max): 220 l/min
Air consumption (during evac.):
380 l/min
Communication: IO-Link (Class B)
Vacuum (max): -850 mbar
Noise level (free): 72 dB
Protection: IP 65

Design Data



| Attribute | Value |
|-----------|---------|
| B | 39 mm |
| B2 | 6.8 mm |
| d | 5.5 mm |
| G1 | G3/8"-F |
| G2 | M12x1-M |
| G3 | M5-F |
| H | 108 mm |
| H1 | 160 mm |
| H2 | 54 mm |
| H3 | 6 mm |

Contact to Schmalz

J. Schmalz GmbH | Johannes-Schmalz-Straße, 72293 Glatten, Deutschland | +49 7443 2403-102 | customercenter@schmalz.de

Schmalz X-Pump

SXMPi 30 NC H M12-5

Part no.:10.02.02.05300

<https://www.schmalz.com/10.02.02.05300>



| Attribute | Value |
|-----------|---------|
| H4 | 26 mm |
| L | 210 mm |
| L2 | 5 mm |
| L3 | 97 mm |
| L4 | 35.5 mm |
| X1 | 89 mm |
| X2 | 42 mm |
| Y1 | 10 mm |
| Y2 | 24 mm |

Technical Data

| Attribute | Value |
|---|------------------------|
| Nozzle diameter | 3 mm |
| Degree of evacuation | 85 % |
| Suction rate (max.) | 220 l/min |
| Suction rate (max.) | 13.2 m ³ /h |
| Suction rate (max.) | 7.769 cfm |
| Air consumption suction | 380 l/min |
| Air consumption suction | 13.419 cfm |
| Air consumption suction | 22.8 m ³ /h |
| Sound level free | 72 dB(A) |
| Pressure range (operating pressure) | 3.0 - 6.0 bar |
| Pressure range (operating pressure) | 43.5 - 87.0 |
| Max. air consumption blow off | 320 l/min |
| Recomm. internal hose diameter compressed air | 8 mm |

Contact to Schmalz

J. Schmalz GmbH | Johannes-Schmalz-Straße, 72293 Glatten, Deutschland | +49 7443 2403-102 | customercenter@schmalz.de

Schmalz X-Pump

SXMPi 30 NC H M12-5

Part no.:10.02.02.05300

<https://www.schmalz.com/10.02.02.05300>



| Attribute | Value |
|---------------------------------------|-----------------|
| Recomm. internal hose diameter vacuum | 9 mm |
| Control valve | Normally closed |
| Weight | 0.091 kg |
| Operating temperature | 0 ... 50 °C |
| Product family | SXMPi |

Accessories



ASK B-M12-5 5000 S-M12-5

Part no.21.04.05.00266

Connection cable

Interface Connection 1:

Fem connect M12, 5 pol

Cable length: 5000 mm

Interface Connection 2:

Male connect M12, 5 pol

Material: PUR-Cable



ASK B-M12-5 2000 S-M12-5

Part no.21.04.05.00211

Connection cable

Interface Connection 1:

Fem connect M12, 5 pol

Cable length: 2000 mm

Interface Connection 2:

Male connect M12, 5 pol

Material: PUR-Cable

Contact to Schmalz

J. Schmalz GmbH | Johannes-Schmalz-Straße, 72293 Glatten, Deutschland | +49 7443 2403-102 | customercenter@schmalz.de

Schmalz X-Pump SXMPi 30 NC H M12-5

Part no.:10.02.02.05300

<https://www.schmalz.com/10.02.02.05300>



ASK B-M12-5 5000 K-5P

Part no.21.04.05.00080

Connection cable

Interface Connection 1:

Fem connect M12, 5 pol

Cable length: 5000 mm

Interface Connection 2: Cable 5

Material: PUR-Cable

Shape: Straight