

# Schmalz X-Pump

## SXMPi 25 NO Q M12-5

Part no.:10.02.02.05289

<https://www.schmalz.com/10.02.02.05289>



Homepage > Vacuum Technology for Automation > Vacuum Components > Vacuum Generators > Compact Ejectors > Compact Ejectors SXMPi

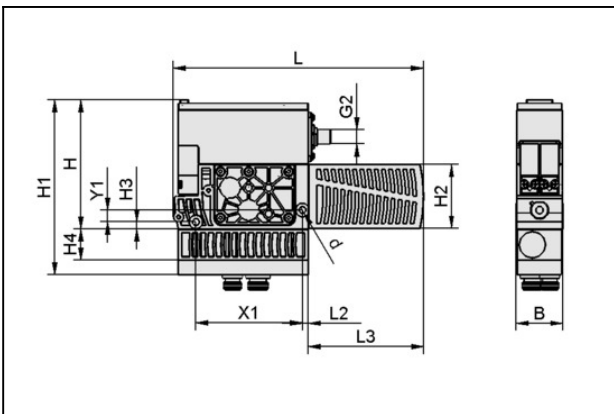
Class B > SXMPi 25 NO Q M12-5

### Compact ejector with Condition Monitoring, power blow-off function and pneu. air-saving function



Nozzle size: 2,5 mm  
 Control: Normally open  
 Pneum. Connection: Quick Change  
 Electrical connection:  
 Male connect M12, 5 pol  
 Suction rate (max): 185 l/min  
 Air consumption (during evac.):  
 290 l/min  
 Communication: IO-Link (Class B)  
 Vacuum (max): -850 mbar  
 Noise level (free): 67 dB  
 Protection: IP 65

### Design Data



Attribute	Value
B	39 mm
d	5.5 mm
G2	M12x1-M
H	108 mm
H1	146 mm
H2	54 mm
H3	6 mm
H4	26 mm
L	210 mm
L2	5 mm

### Contact to Schmalz

J. Schmalz GmbH | Johannes-Schmalz-Straße, 72293 Glatten, Deutschland | +49 7443 2403-102 | [customercenter@schmalz.de](mailto:customercenter@schmalz.de)

# Schmalz X-Pump

## SXMPi 25 NO Q M12-5

Part no.:10.02.02.05289

<https://www.schmalz.com/10.02.02.05289>



Attribute	Value
L3	97 mm
X1	89 mm
Y1	10 mm

---

### Technical Data

Attribute	Value
Nozzle diameter	2.5 mm
Degree of evacuation	85 %
Suction rate (max.)	185 l/min
Suction rate (max.)	11.1 m <sup>3</sup> /h
Suction rate (max.)	6.533 cfm
Air consumption suction	290 l/min
Air consumption suction	10.241 cfm
Air consumption suction	17.4 m <sup>3</sup> /h
Sound level free	67 dB(A)
Pressure range (operating pressure)	3.0 - 6.0 bar
Pressure range (operating pressure)	43.5 - 87.0
Max. air consumption blow off	320 l/min
Recomm. internal hose diameter compressed air	8 mm
Recomm. internal hose diameter vacuum	9 mm
Control valve	Normally open
Weight	0.96 kg
Operating temperature	0 ... 50 °C
Product family	SXMPi

---

#### Contact to Schmalz

J. Schmalz GmbH | Johannes-Schmalz-Straße, 72293 Glatten, Deutschland | +49 7443 2403-102 | [customercenter@schmalz.de](mailto:customercenter@schmalz.de)

# Schmalz X-Pump

## SXMPi 25 NO Q M12-5

Part no.:10.02.02.05289

<https://www.schmalz.com/10.02.02.05289>



### Accessories



#### **ASK B-M12-5 5000 S-M12-5**

Part no.21.04.05.00266

Connection cable

Interface Connection 1:

Fem connect M12, 5 pol

Cable length: 5000 mm

Interface Connection 2:

Male connect M12, 5 pol

Material: PUR-Cable



#### **ASK B-M12-5 2000 S-M12-5**

Part no.21.04.05.00211

Connection cable

Interface Connection 1:

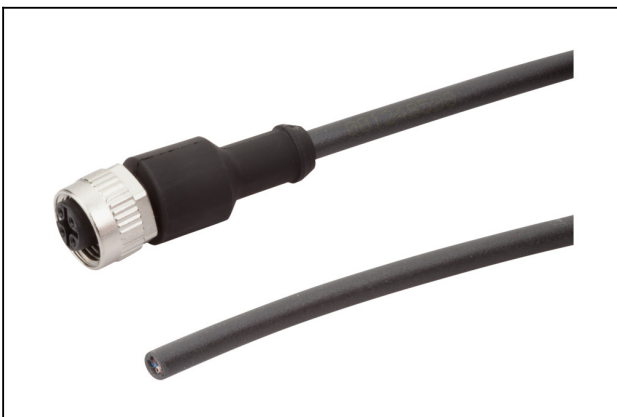
Fem connect M12, 5 pol

Cable length: 2000 mm

Interface Connection 2:

Male connect M12, 5 pol

Material: PUR-Cable



#### **ASK B-M12-5 5000 K-5P**

Part no.21.04.05.00080

Connection cable

Interface Connection 1:

Fem connect M12, 5 pol

Cable length: 5000 mm

Interface Connection 2: Cable 5

Material: PUR-Cable

Shape: Straight

### Contact to Schmalz

J. Schmalz GmbH | Johannes-Schmalz-Straße, 72293 Glatten, Deutschland | +49 7443 2403-102 | [customercenter@schmalz.de](mailto:customercenter@schmalz.de)