

Schmalz X-Pump

SXMPi 25 NO H M12-5

Part no.:10.02.02.05288

<https://www.schmalz.com/10.02.02.05288>



Homepage > Vacuum Technology for Automation > Vacuum Components > Vacuum Generators > Compact Ejectors > Compact Ejectors SXMPi

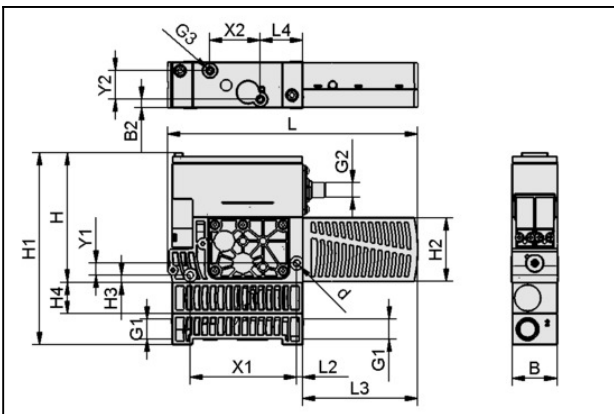
Class B > SXMPi 25 NO H M12-5

Compact ejector with Condition Monitoring, power blow-off function and pneu. air-saving function



Nozzle size: 2,5 mm
 Control: Normally open
 Pneum. Connection: Horizontal
 Electrical connection:
 Male connect M12, 5 pol
 Suction rate (max): 185 l/min
 Air consumption (during evac.):
 290 l/min
 Communication: IO-Link (Class B)
 Vacuum (max): -850 mbar
 Noise level (free): 67 dB
 Protection: IP 65

Design Data



Attribute	Value
B	39 mm
B2	6.8 mm
d	5.5 mm
G1	G3/8"-F
G2	M12x1-M
G3	M5-F
H	108 mm
H1	160 mm
H2	54 mm
H3	6 mm

Contact to Schmalz

J. Schmalz GmbH | Johannes-Schmalz-Straße, 72293 Glatten, Deutschland | +49 7443 2403-102 | customercenter@schmalz.de

Schmalz X-Pump

SXMPi 25 NO H M12-5

Part no.:10.02.02.05288

<https://www.schmalz.com/10.02.02.05288>



Attribute	Value
H4	26 mm
L	210 mm
L2	5 mm
L3	97 mm
L4	35.5 mm
X1	89 mm
X2	42 mm
Y1	10 mm
Y2	24 mm

Technical Data

Attribute	Value
Nozzle diameter	2.5 mm
Degree of evacuation	85 %
Suction rate (max.)	185 l/min
Suction rate (max.)	11.1 m ³ /h
Suction rate (max.)	6.533 cfm
Air consumption suction	290 l/min
Air consumption suction	10.241 cfm
Air consumption suction	17.4 m ³ /h
Sound level free	67 dB(A)
Pressure range (operating pressure)	3.0 - 6.0 bar
Pressure range (operating pressure)	43.5 - 87.0
Max. air consumption blow off	320 l/min
Air consumption blow off	11.3 cfm

Contact to Schmalz

J. Schmalz GmbH | Johannes-Schmalz-Straße, 72293 Glatten, Deutschland | +49 7443 2403-102 | customercenter@schmalz.de

Schmalz X-Pump

SXMPi 25 NO H M12-5

Part no.:10.02.02.05288

<https://www.schmalz.com/10.02.02.05288>



Attribute	Value
Air consumption blow off	19.2 m ³ /h
Recomm. internal hose diameter compressed air	8 mm
Recomm. internal hose diameter vacuum	9 mm
Control valve	Normally open
Weight	0.91 kg
Operating temperature	0 ... 50 °C
Product family	SXMPi

Accessories



ASK B-M12-5 5000 S-M12-5

Part no.21.04.05.00266

Connection cable

Interface Connection 1:

Fem connect M12, 5 pol

Cable length: 5000 mm

Interface Connection 2:

Male connect M12, 5 pol

Material: PUR-Cable



ASK B-M12-5 2000 S-M12-5

Part no.21.04.05.00211

Connection cable

Interface Connection 1:

Fem connect M12, 5 pol

Cable length: 2000 mm

Interface Connection 2:

Male connect M12, 5 pol

Material: PUR-Cable

Contact to Schmalz

J. Schmalz GmbH | Johannes-Schmalz-Straße, 72293 Glatten, Deutschland | +49 7443 2403-102 | customercenter@schmalz.de

Schmalz X-Pump SXMPi 25 NO H M12-5

Part no.:10.02.02.05288

<https://www.schmalz.com/10.02.02.05288>



ASK B-M12-5 5000 K-5P

Part no.21.04.05.00080

Connection cable

Interface Connection 1:

Fem connect M12, 5 pol

Cable length: 5000 mm

Interface Connection 2: Cable 5

Material: PUR-Cable

Shape: Straight