

Compact ejector

SCPSi-L HV 3-16 NO M12-5

Part no.:10.02.02.06052

<https://www.schmalz.com/10.02.02.06052>

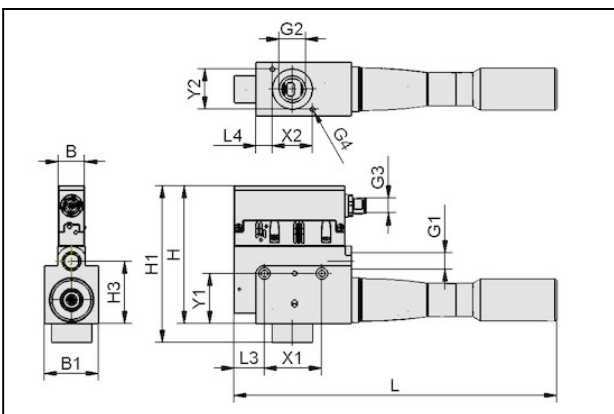
Homepage > Vacuum Technology for Automation > Vacuum Components > Vacuum Generators > Compact Ejectors > Compact Ejectors SCPS- / SCPSi-L > SCPSi-L HV 3-16 NO M12-5

Compact ejector with multi-stage nozzle and IO-Link function with highest suction rate



Design: High vacuum
 Nozzle size: 1,6 (three-stage) mm
 Suction rate (max): 227 l/min
 Air consumption (during evac.):
 102 l/min
 Noise level (free): 80 dB
 at operating press.: 4.0 ... 6.0 bar
 Control: Normally open
 Electrical connection:
 Male connect M12, 5 pol
 Connection: M12-5
 Protection: IP 65 (with plug)

Design Data



Attribute	Value
B	18 mm
d	4.5 mm
G1	G1/4"-F
G2	G1/2"-F
G3	M12x1-M
H	95.75 mm
H1	109 mm
H3	56.5 mm
L	224.5 mm
L3	21 mm

Contact to Schmalz

J. Schmalz GmbH | Johannes-Schmalz-Straße, 72293 Glatten, Deutschland | +49 7443 2403-102 | customercenter@schmalz.de

Compact ejector

SCPSi-L HV 3-16 NO M12-5

Part no.:10.02.02.06052

<https://www.schmalz.com/10.02.02.06052>



Attribute	Value
X1	40 mm

Technical Data

Attribute	Value
Degree of evacuation	90 %
Suction rate (max.)	227 l/min
Nozzle size	3-16
Nozzle diameter	1.6 mm
Control valve	Normally open
Electrical connection	M12 plug 5-pin
Recomm. internal hose diameter compressed air	6 mm
Recomm. internal hose diameter vacuum	12 mm
Pressure range (operating pressure)	4.0 ... 6.0 bar
Operating temperature	5 ... 50 °C
Protection type IP	IP 65 (with plug)
Product family	SCPSi-L

Spare Parts

Contact to Schmalz

J. Schmalz GmbH | Johannes-Schmalz-Straße, 72293 Glatten, Deutschland | +49 7443 2403-102 | customercenter@schmalz.de

Compact ejector SCPSi-L HV 3-16 NO M12-5

Part no.:10.02.02.06052

<https://www.schmalz.com/10.02.02.06052>



SEP HV 3 16 22

Part no.10.02.01.01397

Multistagenozzle as a cartridge

Design: High vacuum

Number of stages: 3

Nozzle size: 1,6 mm

Hole diameter: 22 mm

Degree of evacuation: 90 %

Pressure range (operating pressure):

2.0 ... 6.0 bar

Pressure optimal: 4 bar

Suction rate (max): 308.8 l/min

Air consumption (during evac.):

103 l/min



SHC 3 22

Part no.10.02.01.01514

Schmalz Holder Cap

Number of stages: 3

Hole diameter: 22 mm



SD 29x70 SHC 22

Part no.10.02.01.01517

Silencer for vacuum generators

External diameter D: 29 mm

Length L: 70 mm

for: Schmalz Holder Cap

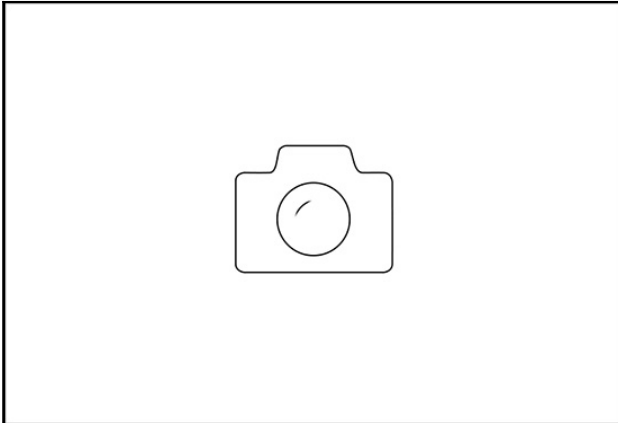
Size: 22

Compact ejector

SCPSi-L HV 3-16 NO M12-5

Part no.:10.02.02.06052

<https://www.schmalz.com/10.02.02.06052>



SD 29x121.5 SHC

Part no.10.02.01.01831

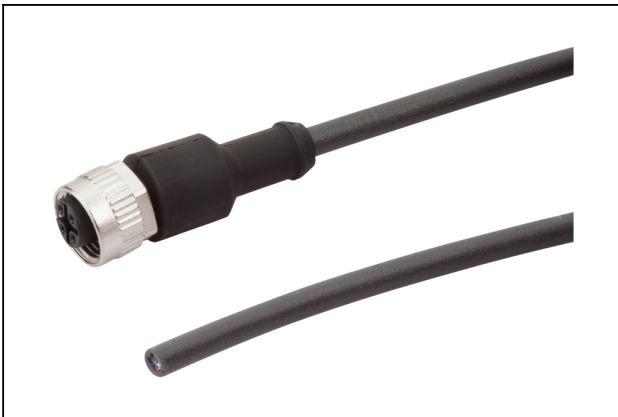
Silencer for vacuum generators

External diameter D: 29 mm

Length L: 121.5 mm

for: Schmalz Holder Cap

Accessories



ASK B-M12-5 5000 K-5P

Part no.21.04.05.00080

Connection cable

Interface Connection 1:

Fem connect M12, 5 pol

Cable length: 5000 mm

Interface Connection 2: Cable 5

Material: PUR-Cable

Shape: Straight



ASK B-M12-5 2000 S-M12-5

Part no.21.04.05.00211

Connection cable

Interface Connection 1:

Fem connect M12, 5 pol

Cable length: 2000 mm

Interface Connection 2:

Male connect M12, 5 pol

Material: PUR-Cable

Compact ejector

SCPSi-L HV 3-16 NO M12-5

Part no.:10.02.02.06052

<https://www.schmalz.com/10.02.02.06052>



SD 29x70 SHC 22

Part no.10.02.01.01517

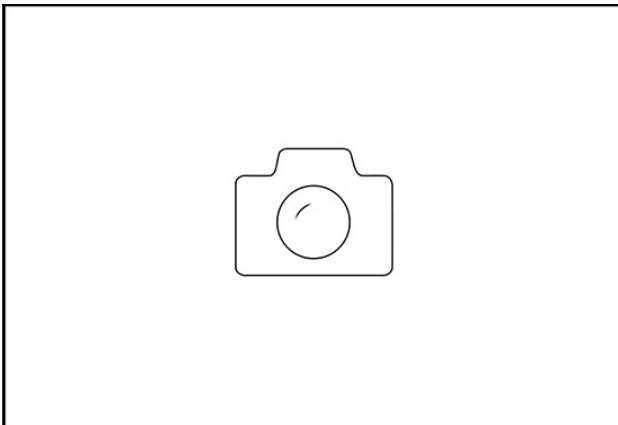
Silencer for vacuum generators

External diameter D: 29 mm

Length L: 70 mm

for: Schmalz Holder Cap

Size: 22



SD 29x121.5 SHC

Part no.10.02.01.01831

Silencer for vacuum generators

External diameter D: 29 mm

Length L: 121.5 mm

for: Schmalz Holder Cap



STV-GE G1/2-AG 14

Part no.10.08.02.00300

Push-in Fitting, straight

Thread G1: G1/2"-M

External hose diameter: 14 mm

Material: Brass

Surface: nickel plated

Compact ejector

SCPSi-L HV 3-16 NO M12-5

Part no.:10.02.02.06052

<https://www.schmalz.com/10.02.02.06052>



VFT G1/2-IG 100

Part no.10.07.01.00126

Vacuum cup filter with transparent housing and replaceable filter

Connection: G1/2"-F

Shape: Long filter insert

Nominal flow rate: 19.2 m³/h

Filter pore size: 100 µm