

## Compact ejector

### SCPb-FS 25 NO RP

Part no.:10.02.02.05562

<https://www.schmalz.com/10.02.02.05562>

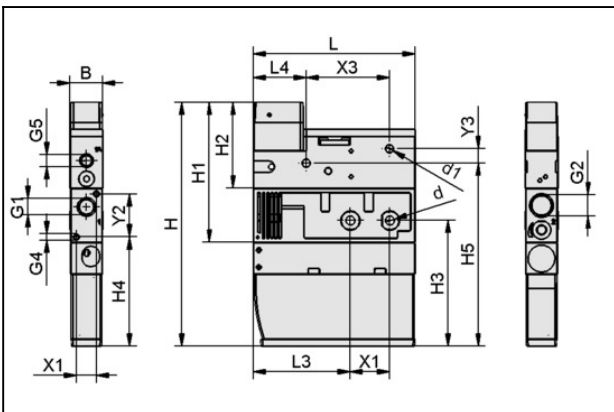
Homepage > Vacuum Technology for Automation > Vacuum Components > Vacuum Generators > Compact Ejectors > Compact Ejectors SCPb / SCPI FS RP > SCPb-FS 25 NO RP

## Compact ejector



Nozzle size: 2,5 mm  
 Suction rate (max): 185 l/min  
 Air consumption (during evac.):  
 290 l/min  
 Noise level (free): 77 dB  
 at operating press.: 4.0 ... 7.0 bar  
 Vacuum (max): -850 mbar  
 Control: Normally open  
 with: pneum. air-saving function  
 Switch-on value regulation: -630 mbar

## Design Data



Attribute	Value
B	22.8 mm
d	6.4 mm
d1	5.5 mm
G1	G1/4"-F
G2	G3/8"-F
G4	M4-F
G5	G1/8"-F
H	170 mm
H1	98 mm
H2	60 mm
H3	87.5 mm
H4	76 mm

### Contact to Schmalz

J. Schmalz GmbH | Johannes-Schmalz-Straße, 72293 Glatten, Deutschland | +49 7443 2403-102 | [customercenter@schmalz.de](mailto:customercenter@schmalz.de)

# Compact ejector

## SCPb-FS 25 NO RP

Part no.:10.02.02.05562

<https://www.schmalz.com/10.02.02.05562>



Attribute	Value
H5	127.5 mm
L	112.5 mm
L3	67.5 mm
L4	36.75 mm
X1	27.5 mm
X2	14 mm
X3	58 mm
Y2	30 mm
Y3	10 mm

---

### Technical Data

Attribute	Value
Nozzle diameter	2.5 mm
Suction rate (max.)	185 l/min
Suction rate (max.)	11.1 m <sup>3</sup> /h
Suction rate (max.)	6.533 cfm
Max. vacuum	-25.1 inHg
Degree of evacuation	85 %
Air consumption suction	290 l/min
Air consumption suction	17.4 m <sup>3</sup> /h
Air consumption suction	10.241 cfm
Max. air consumption blow off	310 l/min
Air consumption blow off	10.947 cfm
Pressure range (operating pressure)	4.0 ... 7.0 bar
Pressure range (operating pressure)	58.0 ... 101.5

#### Contact to Schmalz

J. Schmalz GmbH | Johannes-Schmalz-Straße, 72293 Glatten, Deutschland | +49 7443 2403-102 | [customercenter@schmalz.de](mailto:customercenter@schmalz.de)

# Compact ejector

## SCPb-FS 25 NO RP

Part no.:10.02.02.05562

<https://www.schmalz.com/10.02.02.05562>



Attribute	Value
Recomm. internal hose diameter compressed air	6 mm
Recomm. internal hose diameter vacuum	9 mm
Sound level free	77 dB(A)
Control valve	Normally open
Weight	585 kg
Operating temperature	5 ... 50 °C
Product family	SCPb

### Spare Parts



#### **SD 111x21x45 SMPi/SCPi**

Part no.10.02.02.03381

Silencer for vacuum generators

Length L: 111 mm

Width B: 21 mm

Height H: 45 mm

for: Compact ejectors SMPi/SCPi