

Compact ejector

SCPb-FS 15 NO RP

Part no.:10.02.02.05560

<https://www.schmalz.com/10.02.02.05560>

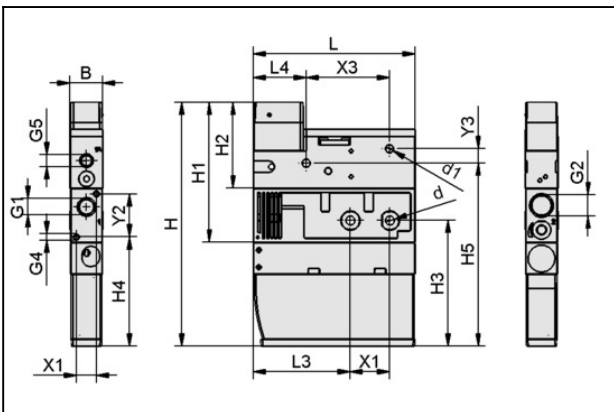
Homepage > Vacuum Technology for Automation > Vacuum Components > Vacuum Generators > Compact Ejectors > Compact Ejectors SCPb / SCPI FS RP > SCPb-FS 15 NO RP

Compact ejector



Nozzle size: 1,5 mm
 Suction rate (max): 75 l/min
 Air consumption (during evac.):
 115 l/min
 Noise level (free): 76 dB
 at operating press.: 4.0 ... 7.0 bar
 Vacuum (max): -850 mbar
 Control: Normally open
 with: pneum. air-saving function
 Switch-on value regulation: -630 mbar

Design Data



Attribute	Value
B	22.8 mm
d	6.4 mm
d1	5.5 mm
G1	G1/4"-F
G2	G3/8"-F
G4	M4-F
G5	G1/8"-F
H	170 mm
H1	98 mm
H2	60 mm
H3	87.5 mm
H4	76 mm

Compact ejector

SCPb-FS 15 NO RP

Part no.:10.02.02.05560

<https://www.schmalz.com/10.02.02.05560>



Attribute	Value
H5	127.5 mm
L	112.5 mm
L3	67.5 mm
L4	36.75 mm
X1	27.5 mm
X2	14 mm
X3	58 mm
Y2	30 mm
Y3	10 mm

Technical Data

Attribute	Value
Nozzle diameter	1.5 mm
Suction rate (max.)	75 l/min
Suction rate (max.)	4.5 m ³ /h
Suction rate (max.)	2.648 cfm
Max. vacuum	-25.1 inHg
Degree of evacuation	85 %
Air consumption suction	115 l/min
Air consumption suction	6.9 m ³ /h
Air consumption suction	4.061 cfm
Max. air consumption blow off	310 l/min
Air consumption blow off	10.947 cfm
Pressure range (operating pressure)	4.0 ... 7.0 bar
Pressure range (operating pressure)	58.0 ... 101.5

Contact to Schmalz

J. Schmalz GmbH | Johannes-Schmalz-Straße, 72293 Glatten, Deutschland | +49 7443 2403-102 | customercenter@schmalz.de

Compact ejector

SCPb-FS 15 NO RP

Part no.:10.02.02.05560

<https://www.schmalz.com/10.02.02.05560>



Attribute	Value
Recomm. internal hose diameter compressed air	6 mm
Recomm. internal hose diameter vacuum	6 mm
Sound level free	76 dB(A)
Control valve	Normally open
Weight	585 kg
Operating temperature	5 ... 50 °C
Product family	SCPb

Spare Parts



SD 111x21x45 SMPi/SCPi

Part no.10.02.02.03381

Silencer for vacuum generators

Length L: 111 mm

Width B: 21 mm

Height H: 45 mm

for: Compact ejectors SMPi/SCPi