

# Robots-Set ECBPM

## ROB-SET ECBPMi TECHMAN

Part no.:10.03.01.00566

<https://www.schmalz.com/10.03.01.00566>

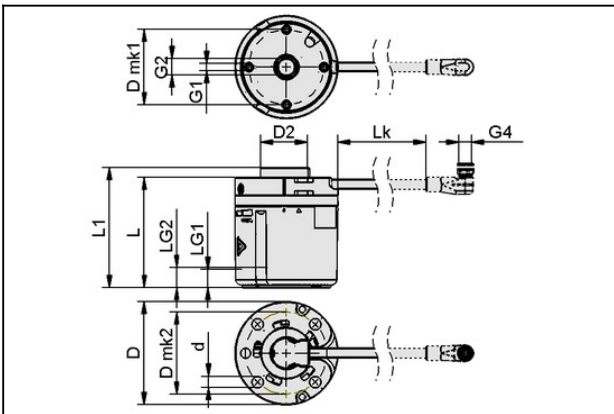
Homepage > Vacuum Technology for Automation > Vacuum Components > Vacuum Generators > Electrical Vacuum Generators > Handling Sets ECBPM > ROB-SET ECBPMi TECHMAN

### Complete set for connecting and integrating the CobotPump ECBPMi to lightweight robots



with: CobotPump mini  
for: TECHMAN  
Type: TM5-700/900  
contains: Suction Pad  
and: Screws  
Degree of evacuation: 60 %

### Design Data



Attribute	Value
Lk	150.5 mm
D	63 mm
D2	31.5 mm
D mk1	46 mm
D mk2	50 mm
G1	M4-F
G2	G1/4"-F
G4	M8-M
L	67.4 mm
L1	73.4 mm
LG1	6 mm
LG2	11.5 mm

### Contact to Schmalz

J. Schmalz GmbH | Johannes-Schmalz-Straße, 72293 Glatten, Deutschland | +49 7443 2403-102 | [customercenter@schmalz.de](mailto:customercenter@schmalz.de)

# Robots-Set ECBPM

## ROB-SET ECBPMi TECHMAN

Part no.:10.03.01.00566

<https://www.schmalz.com/10.03.01.00566>



### Technical Data

Attribute	Value
Suction rate (max.)	1.6 l/min
Degree of evacuation	60 %
Voltage DC	24V-DC
Rated power	7.2 W
Rated current	0.3 A
Electrical connection	Elbow con M8, 8 pole
Operating temperature	0 ... 40 °C
Protection type IP	IP 40
for	TECHMAN

### Spare Parts



#### ECBPMi 24V-DC FK

Part no.10.03.01.00500

CobotPump (Mini) for electrical vacuum generation for collaborative robots

Suction rate (max): 1.6 l/min

Rated power: 7.2 W

Voltage: 24V - DC

Rated current: 0.3 A

Electrical connection: Spring contact

Noise level (max): 57 dB

Ambient temperature: 0 ... 40 °C

#### Contact to Schmalz

J. Schmalz GmbH | Johannes-Schmalz-Straße, 72293 Glatten, Deutschland | +49 7443 2403-102 | [customercenter@schmalz.de](mailto:customercenter@schmalz.de)

## Robots-Set ECBPM

### ROB-SET ECBPMi TECHMAN

Part no.:10.03.01.00566

<https://www.schmalz.com/10.03.01.00566>



#### **SPB1 30 ED-65 G1/4-AG**

Part no.10.01.06.04530

Bellows suction cup (round) for very uneven workpieces

Size: 30

Suction cup material: Elastodur

Material hardness: 65 °Sh

Thread G1: G1/4"-M

Number of folds: 1.5



#### **SFF 20 SI-55 G1/4-AG**

Part no.10.01.01.14621

Flat suction cup (round) for dynamic handling of thin and flexible workpieces

Size: 20

Suction cup material: Silicone SI

Material hardness: 55 °Sh

Thread G1: G1/4"-M

Material characteristics:

FDA-compatible