

Robots-Set ECBPM

ROB-SET ECBPMi ASSISTA

Part no.:10.03.01.00546

<https://www.schmalz.com/10.03.01.00546>

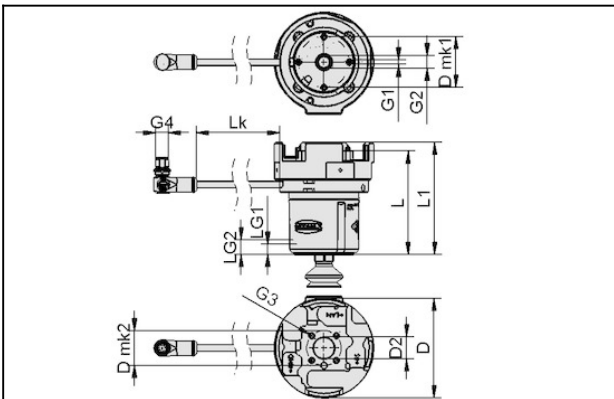
Homepage > Vacuum Technology for Automation > Vacuum Components > Vacuum Generators > Electrical Vacuum Generators > Handling Sets ECBPM > ROB-SET ECBPMi ASSISTA

Complete set for connecting and integrating the CobotPump ECBPM to lightweight robots



with: CobotPump mini
for: Mitsubishi Assista
Type: RV-5AS
contains: Suction Pad
and: Screws
Degree of evacuation: 60 %

Design Data



Attribute	Value
Lk	107 mm
D	90 mm
D2	20 mm
D mk1	46 mm
D mk2	31.5 mm
G1	M4-F
G2	G1/4"-F
G3	M5-M
G4	M12-M
L	88.4 mm
L1	96.4 mm
LG1	6 mm

Contact to Schmalz

J. Schmalz GmbH | Johannes-Schmalz-Straße, 72293 Glatten, Deutschland | +49 7443 2403-102 | customercenter@schmalz.de

Robots-Set ECBPM

ROB-SET ECBPMi ASSISTA

Part no.:10.03.01.00546

<https://www.schmalz.com/10.03.01.00546>



Attribute	Value
LG2	11.5 mm

Technical Data

Attribute	Value
Suction rate (max.)	1.6 l/min
Degree of evacuation	60 %
Voltage DC	24V-DC
Rated power	7.2 W
Rated current	0.3 A
Electrical connection	Elbow con M12, 8 pole
Operating temperature	0 ... 40 °C
Protection type IP	IP 40
Weight	854.9 g
for	Mitsubishi Assista
