

MONITOR BRACKET (WITH TORQUE & AUXILIARY LOCK)

INSTRUCTION

KA-T100S50

BRACKETS & SHELVING SYSTEM

MONITOR BRACKET (WITH TORQUE & AUXILIARY LOCK)



Features

- Can be easily installed and removed.
- Free stops in a range of 180° (swivel) and 40° (tilt).
- Auxiliary lock prevents monitor from sagging due to minute vibration. Also suitable for touch screen.
- Auxiliary lock temporarily releases if a heavy load is applied when locked.
- Bracket holes based on VESA standard (75 × 75 mm, 100 × 100 mm).
- Applicable monitor size: 12 - 22.9 inch (Up to about 10.0 kg)

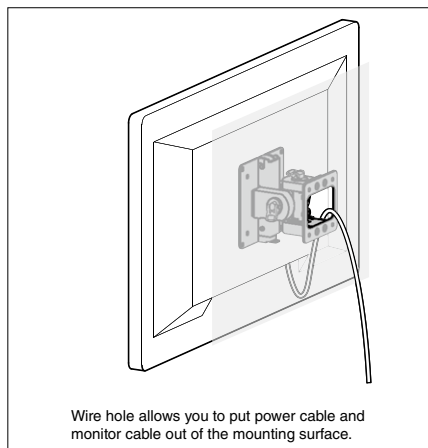
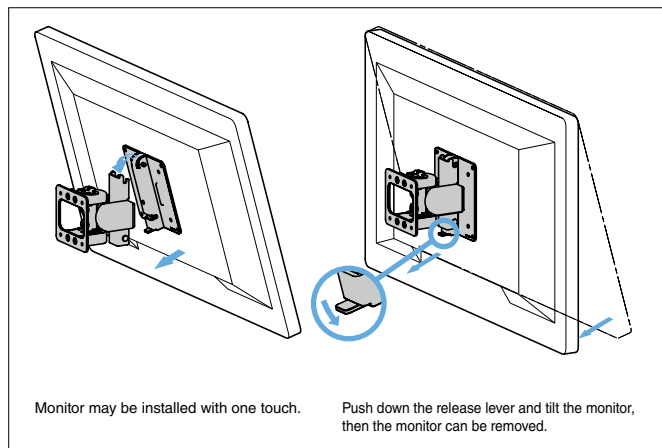
Applications

Liquid crystal monitors for machine tools, OA equipment and medical equipment, etc.

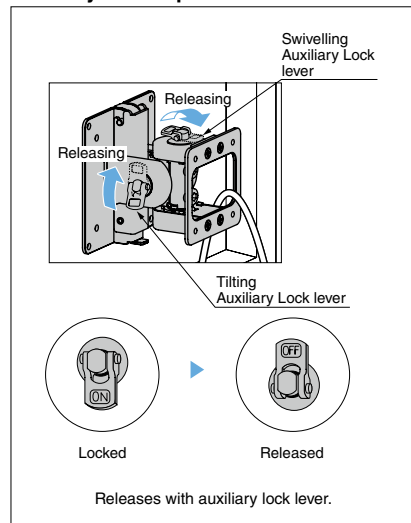
Remarks

- Do not forcibly move the monitor after applying the auxiliary lock.
- After installing the monitor, make sure that the release lever is locked.
- Do not operate continuously (repeatedly in a short time).

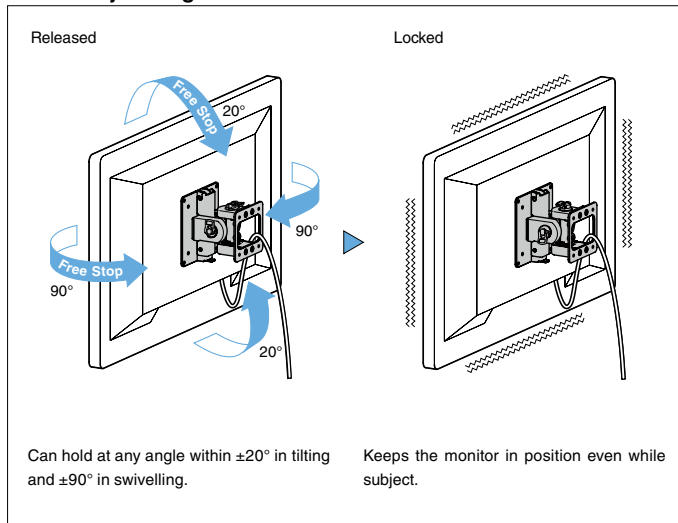
How to Install and Remove Monitor

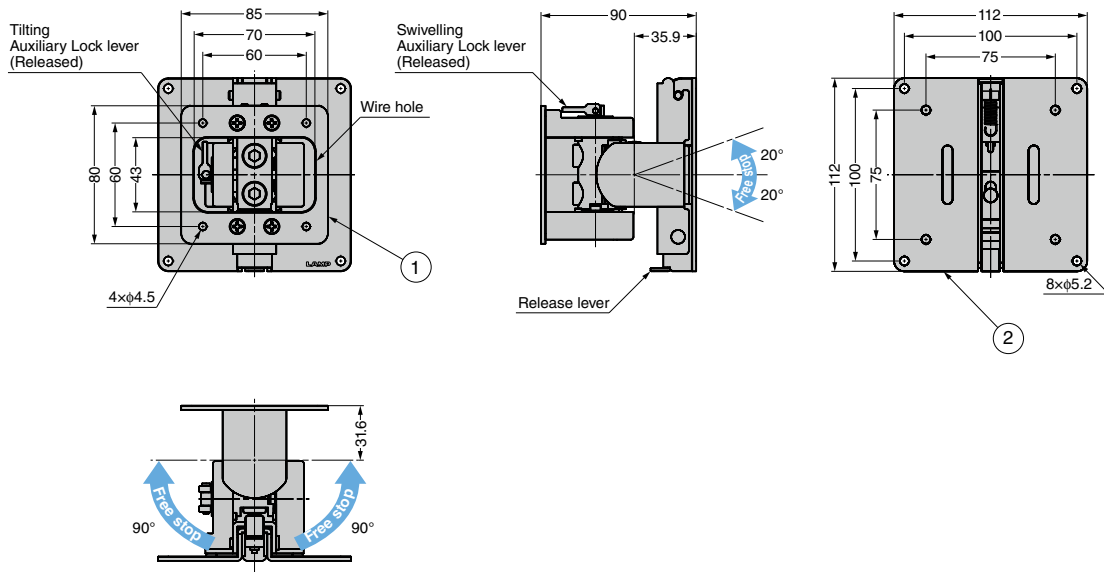


Auxiliary Lock Operation



How to Adjust Angle





No.	Part Name	Material	Finish / Colour
①	Body (Wall Side)	Steel (SPCC)/ ABS	Black
②	Base (Monitor Side)		

CAD	Item Code	Item Name	Mounting	Torque (Tilting) N-m/pc	Torque (Tilting) kgf-cm/pc	Torque (Swivelling) N-m/pc	Torque (Swivelling) kgf-cm/pc	Weight (kg)	Box (pcs)	Carton (pcs)
2D/3D	210-033-587	KA-T100S50	Wall Mount	10.0 <sup>+20%</sup>	102.0 <sup>+20%</sup>	5.0 <sup>+20%</sup>	51.0 <sup>+20%</sup>	1	1	12