

LARGE UTILITY HOOK

TEST METHOD 4

STAINLESS 304 STEEL

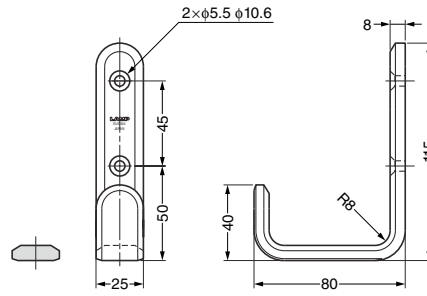
STAINLESS

XL-SF



Mirror finish

Satin finish



Features

Edges are chamfered for a safe and visually appealing design.

Parts Included

Raised countersunk head tapping screw 5x30 (SUS)

Item Code	Item Name	Material	Finish	Load Capacity		Weight	Box	Carton
110-020-142	XL-SF-115-S	Stainless Steel (SUS304)	Satin	372 N	38 kgf	280 g	4 pcs	24 pcs
110-020-143	XL-SF-115-M	Stainless Steel (SUS304)	Mirror	372 N	38 kgf	280 g	4 pcs	24 pcs

LARGE UTILITY HOOK

TEST METHOD 4

STAINLESS 304 STEEL

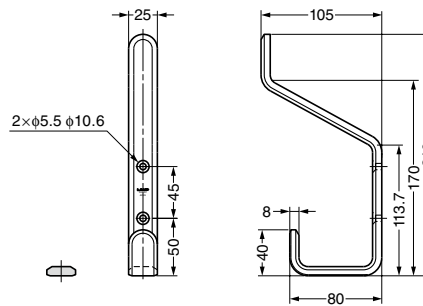
STAINLESS

XL-SB



Mirror finish

Satin finish



Features

Edges are chamfered for a safe and visually appealing design.

Parts Included

Raised countersunk head tapping screw 5x30 (SUS)

Item Code	Item Name	Material	Finish	Load Capacity				Weight	Box	Carton
				Top Hook		Bottom Hook				
110-020-144	XL-SB-210-S	Stainless Steel (SUS304)	Satin	196 N	20 kgf	372.4 N	38 kgf	500 g	2 pcs	12 pcs
110-020-145	XL-SB-210-M	Stainless Steel (SUS304)	Mirror	196 N	20 kgf	372.4 N	38 kgf	500 g	2 pcs	12 pcs

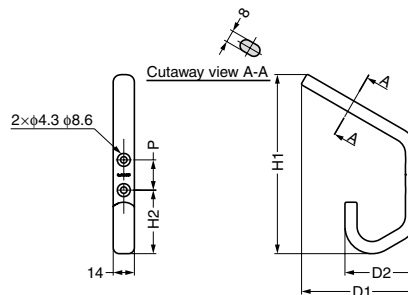
LARGE UTILITY HOOK

TEST METHOD 4

STAINLESS 303 STEEL

STAINLESS

JF1B



Features

Large sized hook made from anti-corrosive stainless steel, applicable for use in marine industry to hold hoses or other large items.

Parts Included

Countersunk head tapping screw 4x32 (SUS)

Item Code	Item Name	Material	Finish	H1	H2	D1	D2	P	Load Capacity		Weight	Box	Carton
110-033-760	JF1B80M	Stainless Steel (SUS303)	Mirror	118.4	42	76.7	48	20	98 N	10 kgf	157 g	5 pcs	40 pcs
110-033-761	JF1B90M	Stainless Steel (SUS303)	Mirror	138.5	46	87.6	56	26			186 g	5 pcs	40 pcs