

# LARGE ALUMINIUM HOOK

TEST METHOD 19

# HK-AJ100

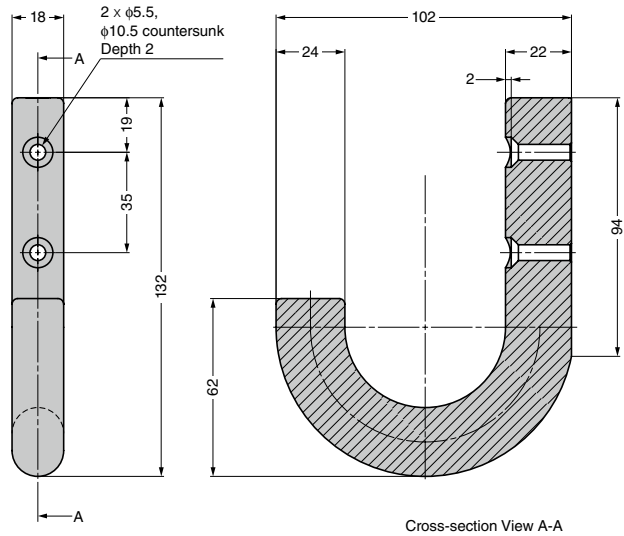


**Features**

- A very large hook for hanging large items that would otherwise have been set on the floor.
- Thick aluminium piece which bends at its thickest end.

**Parts Included**

Size 5 x 45 cross-recessed flat head tapping screws



CAD	Item Code	Item Name	Material	Finish/Colour	Load Capacity N	Load Capacity kgf	Weight (g)	Box (pcs)
	110-041-192	HK-AJ100-SL	Aluminium	Anodised/Matte Silver	200	20.4	202	1
	110-041-193	HK-AJ100-BL		Anodised/Matte Black				1

# GIANT ALUMINIUM HOOK

TEST METHOD 19

# HK-AJ180



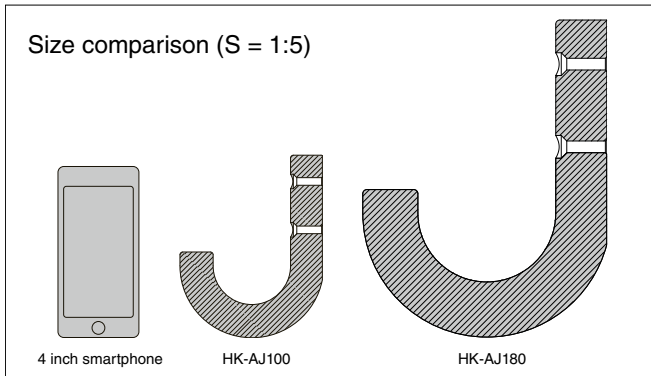
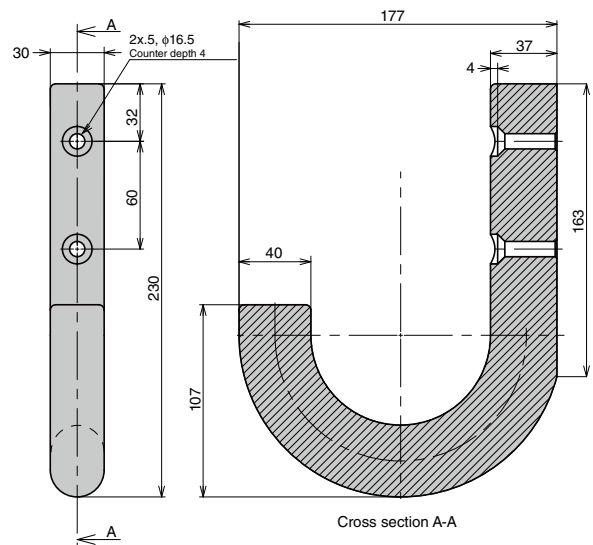
Product may vary slightly from photo

**Features**

- Hook with a profile depth of almost 180 mm.
- Thick aluminium piece which bends on its thickest side.

**Parts Included**

Countersunk head tapping screw 8x85 (Screw head has same finish as hook)  
Hexagon Top Bolt M8x60



CAD	Item Code	Item Name	Material	Finish / Colour	Weight (g)
	110-044-096	HK-AJ180-SL	Aluminium Alloy	Anodized / Matte Silver	993
	110-044-097	HK-AJ180-BL		Anodized / Matte Black	