

STAINLESS STEEL HOOK

TEST
METHOD 19

SUS

JF2B-40M

HOOKS

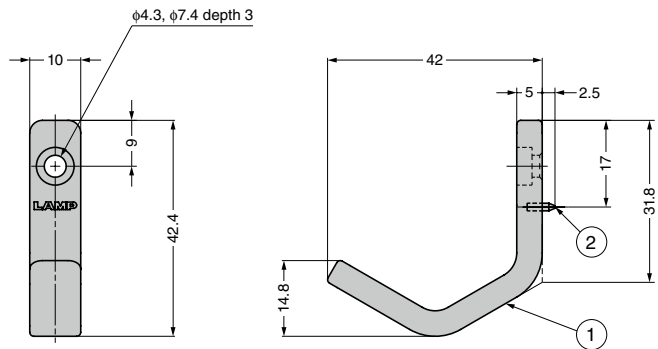


Features

A stainless steel hook that can be used in many places including modernist interiors.

Parts Included

Size 4 x 32 cross-recessed pan head tapping screws (stainless steel)



No.	Part Name	Material	Finish/Colour
①	Hook Body	Stainless Steel (SUS304)	Polished
②	Sharp Pins	Stainless Steel (SUS303)	Plain

CAD	Item Code	Item Name	Load Capacity N	Load Capacity kgf	Weight (g)	Box (pcs)	Carton (pcs)
ec3d	110-037-145	JF2B-40M	100	10.2	27.4	20	120

LARGE UTILITY HOOK

TEST
METHOD 4

SUS

JF2B-55M

STAINLESS STEEL HOOK / LARGE UTILITY HOOK

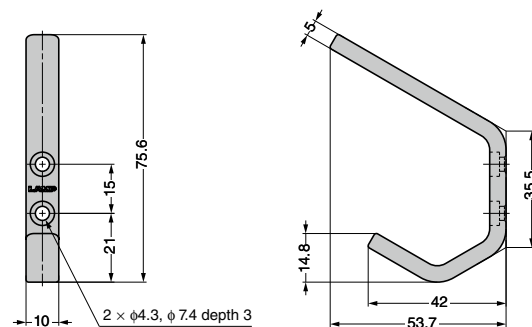


Features

- Suitable for modernist interiors.
- Large size hook made from stainless steel.
- Allows big items such as marine hoses to be hung outdoors.

Parts Included

Pan head tapping screw 4 x 32 (SUS)



CAD	Item Code	Item Name	Material	Finish	Load Capacity N	Load Capacity kgf	Weight (g)	Box (pcs)	Carton (pcs)
-	110-033-274	JF2B-55M	Stainless Steel (SUS304)	Polished	100	10.2	50	20	120