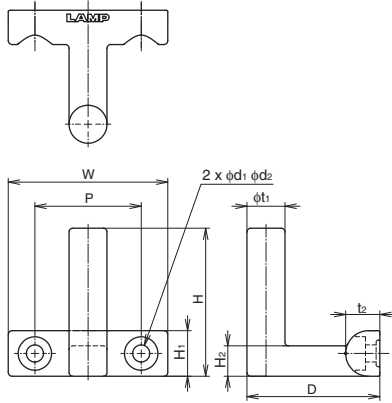


HOOK



TEST METHOD 1

TEST METHOD 4

SUS

HK-RH

Features

- Flat bottomed hook
- Made from stainless steel and suitable for use in corrosive environments.

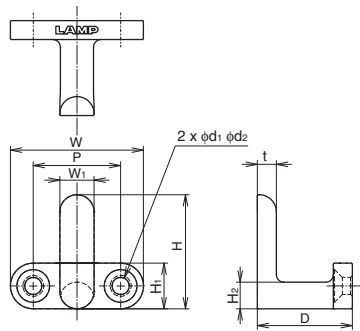
Parts Included

- HK-RH40 : Binding head tapping screw 4 × 20 (SUS)
- HK-RH60 : Binding head tapping screw 5 × 30 (SUS)

CAD	Item Code	Item Name	Material	Finish	D	d ₁	d ₂	H	H ₁	H ₂	P	t ₁	t ₂	W	Load Capacity N	Load Capacity kgf	Weight (g)	Box (pcs)	Carton (pcs)
2030	110-037-670	HK-RH40	Stainless Steel (SCS13)	Polished	35	4.5	8.8	39	12	8	28	10	9	42	196	20	57	-	-
2030	110-037-671	HK-RH60			51.5	5.5	10.8	58	16	11	40	15	12	63	245	25	175	-	-

*SCS13 is equivalent of SUS304.

HOOK



TEST METHOD 1

TEST METHOD 4

HK-FH

Features

- Included screws have the same finish as the bottom.
- Flat bottomed hook

Parts Included

- HK-FH30 : Countersunk head tapping screw 4 × 20 (steel)
- HK-FH50 : Countersunk head tapping screw 5 × 30 (steel)

CAD	Item Code	Item Name	Material	Finish	D	d ₁	d ₂	H	H ₁	H ₂	P	t	W	W ₁	Load Capacity N	Load Capacity kgf	Weight (g)	Box (pcs)	Carton (pcs)
2030	110-037-662	HK-FH30-CR	Zinc Alloy (ZDC)	Chrome	25	4.5	8.6	30	12	7	23	5	35	9	98	10	22	25	250
2030	110-037-665	HK-FH30-BL		Black													22	25	250
2030	110-037-663	HK-FH30-DB		Copper													22	25	250
2030	110-037-664	HK-FH30-PB		Brass	22	25	250												
-	110-037-666	HK-FH50-CR		Chrome	39	5.3	10.6	45	16	9.5	34	7	50	13	147	15	65	15	150
-	110-037-669	HK-FH50-BL		Black													65	15	150
-	110-037-667	HK-FH50-DB	Copper	65													15	150	
-	110-037-668	HK-FH50-PB	Brass	65													15	150	