

**STAINLESS STEEL ROTATING BALL HOOK (W/FRICTION) TEST METHOD 4 SUS TK-W-45F**

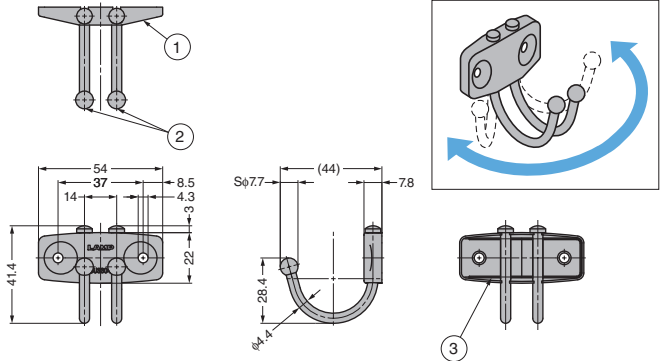


**Features**

- Friction prevents unintended swivelling caused by vibrations.
- Ball end prevents injury.

**Parts Included**

Size 4 x 20 cross-recessed round flat head tapping screws (stainless steel)

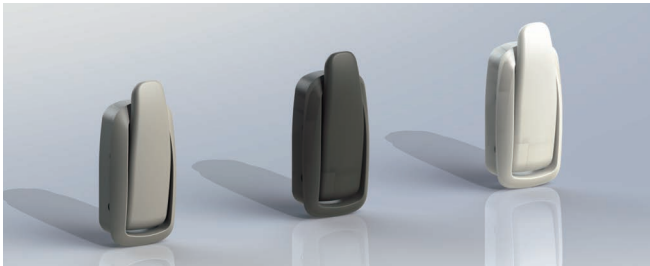


No.	Part Name	Material	Finish
①	Mounting Plate	Stainless Steel (SUS304)	Barrel Polished
②	Hook Arm		Plain
③	Wire Spring		

CAD	Item Code	Item Name	Material	Finish	Load Capacity N	Load Capacity kgf	Weight (g)	Box (pcs)	Carton (pcs)
2020	110-040-999	TK-W-45F	Stainless Steel (SUS304)	Barrel Polished	80	8.2	34	30	300

\* Load capacity values are for one side only.

**RESIN FOLDING HOOK (W/SOFT CLOSING FUNCTION) TEST METHOD 18 NF-47D**



**Features**

- Soft closing function automatically closes the hook gradually after items on hook are removed.
- The tip of the hook has a grip for easy opening.
- Streamlined design with minimum protrusion when the hook is closed.
- Made with flame-retardant grade (UL94V-0 compliant) polycarbonate.
- Also available in special colours. Contact us for details.

**Application**

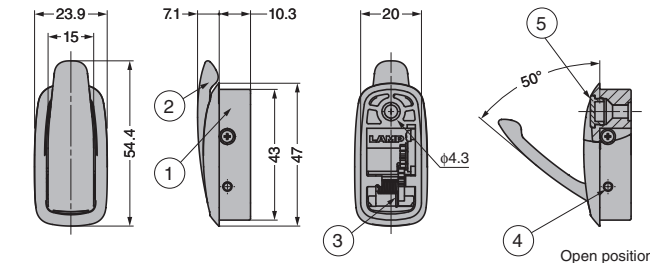
Cabinets, train cars, etc.

**Remarks**

Attach the cushioning rubber after installation.

**Recommended Screw**

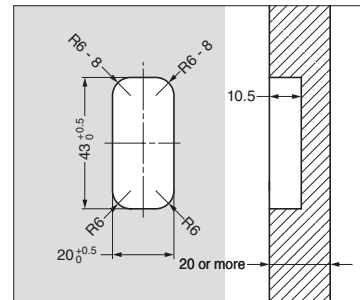
M4 cross-recessed screw or size 4 countersunk head tapping screw



No.	Part Name	Material	Finish
①	Main Body	Polycarbonate (PC)	Partial Blast Finish
②	Arm		
③	Spring	Stainless Steel (SUS304)	Plain
④	Shaft		
⑤	Cushioning Rubber	Chloroprene Rubber (CR)	-

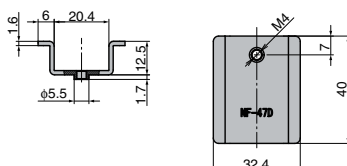
**Cut Out Dimensions**

Wood Mounting (20 mm or thicker)



CAD	Item Code	Item Name	Colour	Load Capacity N	Load Capacity kgf	Weight (g)	Box (pcs)	Carton (pcs)
2020	110-041-087	NF-47D-GR	Grey	75	7.6	11	40	360
2020	110-041-088	NF-47D-DGR	Dark Grey				40	360
2020	110-041-089	NF-47D-WT	White				40	360

**BRACKET FOR RECESSED HOOK NF-47DB**



**Features**

A bracket for attaching the NF-47D recessed hook to a metal sheet.

**Parts Included**

Size M4 x 16 cross-recessed flat head screws

CAD	Item Code	Item Name	Material	Finish	Weight (g)
2020	110-042-079	NF-47DB	Steel (SPCC)	Coloured Chromate Finish (Trivalent)	25