

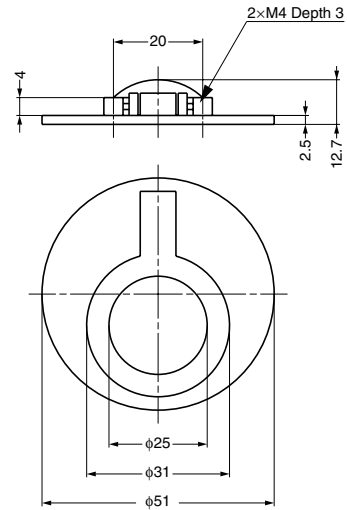
BRASS RING PULL



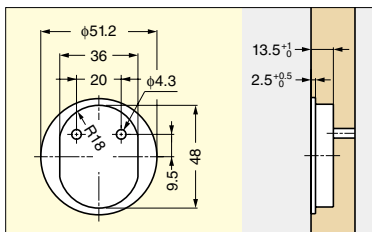
580



Parts Included
M4x25 truss head screw



Cut Out Dimensions



Item Code	Item Name	Material	Finish	Weight	Box
100-016-025	580-WB	Brass	Satin Nickel	62 g	50 pcs
100-016-026	580-SB	Brass	Satin	62 g	50 pcs

HANDLES,
PULLS & KNOBS

RING PULL / HANDLE

VINYL HANDLE

PS

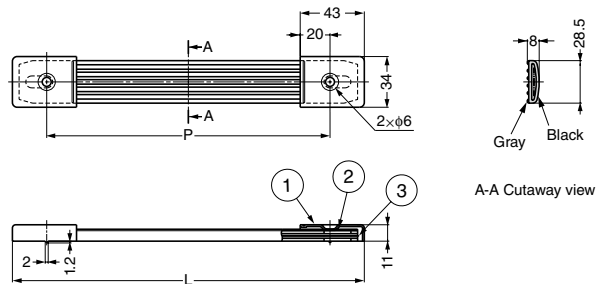


Features

- Handle can be pulled out when in use.

Recommended Screw

Countersunk head wood screw 5.5



No.	Part Name	Material	Finish/Colour
①	Cover	Steel	Black
②	Handle	PVC	Grey/Black
③	Reinforcing Plate	Steel	Yellow Zinc Chromate

Item Code	Item Name	L	P	Weight	Box
100-010-249	PS-190	236	190	100 g	50 pcs
100-010-250	PS-220	266	220	110 g	50 pcs

