

## STAINLESS STEEL HANDLE

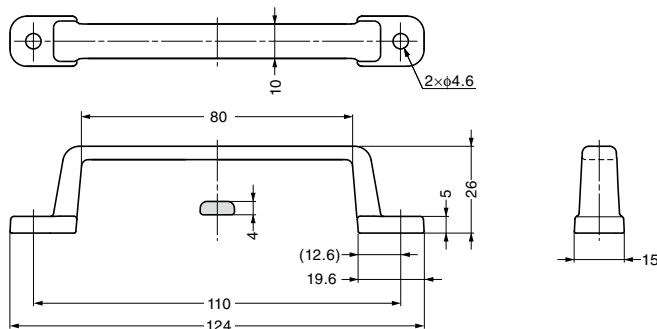


FT-110S



### Recommended Screw

M4 Screw



Item Code	Item Name	Material	Finish	Weight	Box	Carton
100-019-029	FT-110S	Stainless Steel (SCS13)	Satin	63 g	50 pcs	200 pcs

\*SCS13 is equivalent of SUS304.

## STAINLESS STEEL HANDLE



XL-CUY

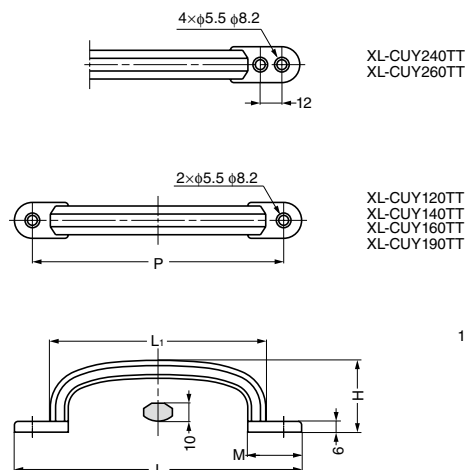


### Features

Exquisite combination of satin and mirror finishes

### Parts Included

Raised countersunk head tapping screw 4x20 (SUS)



Item Code	Item Name	Material	Finish	L	L <sub>1</sub>	H	M	P	Weight	Box
100-012-834	XL-CUY120TT	Stainless Steel (SUS303)	Mirror and Satin Combination	118	80	36	30	100	153 g	5 pcs
100-012-835	XL-CUY140TT	Stainless Steel (SUS303)	Mirror and Satin Combination	138	100	38	30	120	188 g	5 pcs
100-012-836	XL-CUY160TT	Stainless Steel (SUS303)	Mirror and Satin Combination	158	120	40	30	140	199 g	3 pcs
100-012-837	XL-CUY190TT	Stainless Steel (SUS303)	Mirror and Satin Combination	188	150	42	30	170	235 g	2 pcs
100-012-838	XL-CUY240TT	Stainless Steel (SUS303)	Mirror and Satin Combination	238	180	44	40	196	290 g	2 pcs
100-012-839	XL-CUY260TT	Stainless Steel (SUS303)	Mirror and Satin Combination	258	200	46	40	216	311 g	2 pcs

HANDLES,  
PULLS & KNOBS

STAINLESS STEEL HANDLE