

Finger gripper

OFG SI-70 31.5

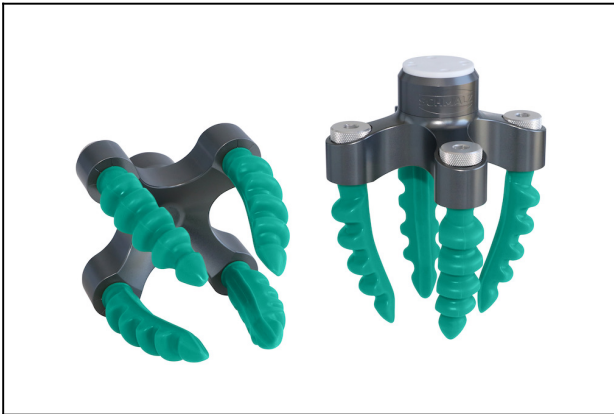
Part no.:10.01.51.00003

<https://www.schmalz.com/10.01.51.00003>

Homepage > Vacuum Technology for Automation > Vacuum Components > Area Gripping Systems and End Effectors > Finger grippers >

Finger grippers OFG > OFG SI-70 31.5

Innovative finger gripper for the direct food use and Pick&Place applications

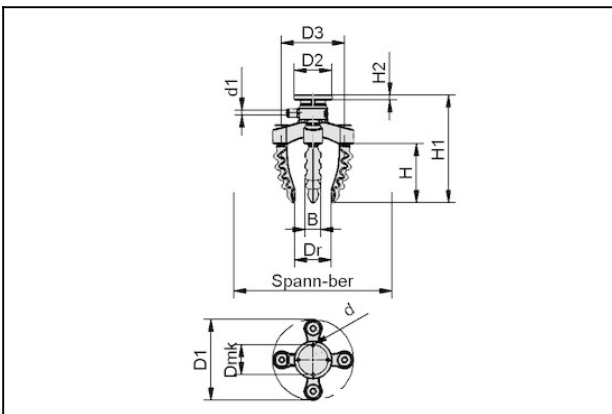


Suction cup material: Silicone SI

Material hardness: 70 °Sh

Mounting: 31,5-4-M5

Design Data



Attribute	Value
B	26.4 mm
d	5.3 mm
d1	8 mm
D1	135 mm
D2	42 mm
Dmk	31.5 mm
H	99.3 mm
H1	165.5 mm
H2	4.1 mm

Technical Data

Contact to Schmalz

J. Schmalz GmbH | Johannes-Schmalz-Straße, 72293 Glatten, Deutschland | +49 7443 2403-102 | customercenter@schmalz.de

Finger gripper

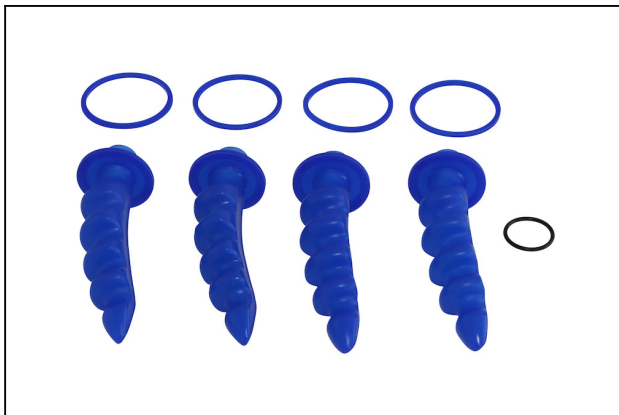
OFG SI-70 31.5

Part no.:10.01.51.00003

<https://www.schmalz.com/10.01.51.00003>

Attribute	Value
Material	Aluminum
Pressure optimal	1 bar
Weight	552 g
Operating temperature	°C

Spare Parts



VST OFG

Part no.10.01.51.00008

Spare parts kit

for: Finger gripper



STV-GE G1/8-AG 8

Part no.10.08.02.00206

Push-in Fitting, straight

Thread G1: G1/8"-M

External hose diameter: 8 mm

Material: Brass

Surface: nickel plated

Finger gripper

OFG SI-70 31.5

Part no.:10.01.51.00003

<https://www.schmalz.com/10.01.51.00003>



STV-W G1/8-AG 8

Part no.10.08.02.00160

Push-in Fitting, swivelling elbow

Thread G1: G1/8"-M

External hose diameter: 8 mm

Material: Brass, nickel-plated

Ambient temperature: -20 ... 80 °C

Accessories



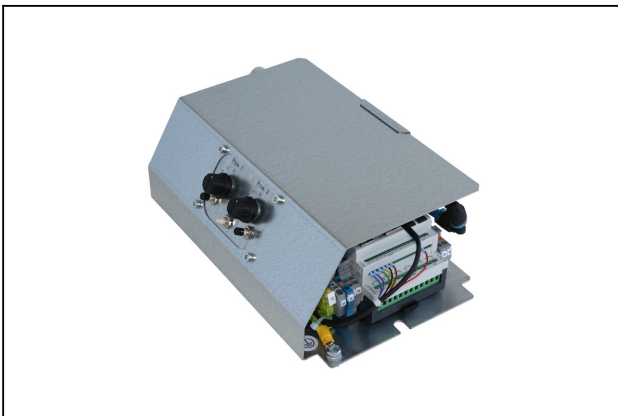
STEU 24V-DC OFG-B

Part no.10.01.51.00005

Control

Voltage: 24V - DC

for: Finger gripper basic



STEU 24V-DC OFG-C

Part no.10.01.51.00006

Control

Voltage: 24V - DC

for: Finger gripper controlled

Finger gripper

OFG SI-70 31.5

Part no.:10.01.51.00003

<https://www.schmalz.com/10.01.51.00003>



VSL 8-6 PU

Part no.10.07.09.00003

Hose for vacuum and compressed-air systems

External diameter D: 8 mm

Internal diameter d: 6 mm

Length (max): 500 m

Material: PU

Installation radius (min): 45 mm

Pressure range (operating pressure):

-0.95 ... 10.00 bar

Ambient temperature: -20 ... 90 °C