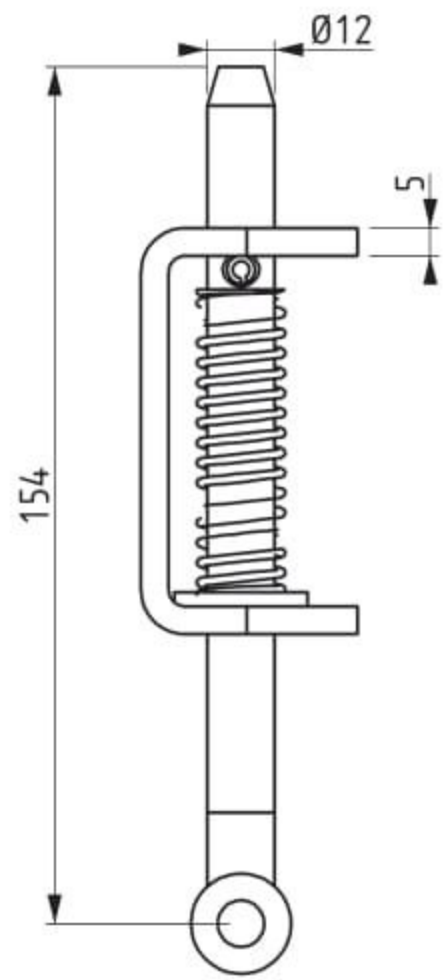
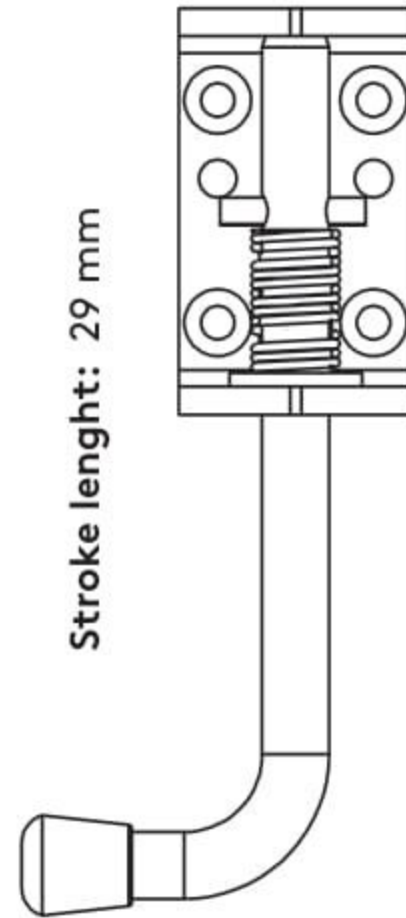


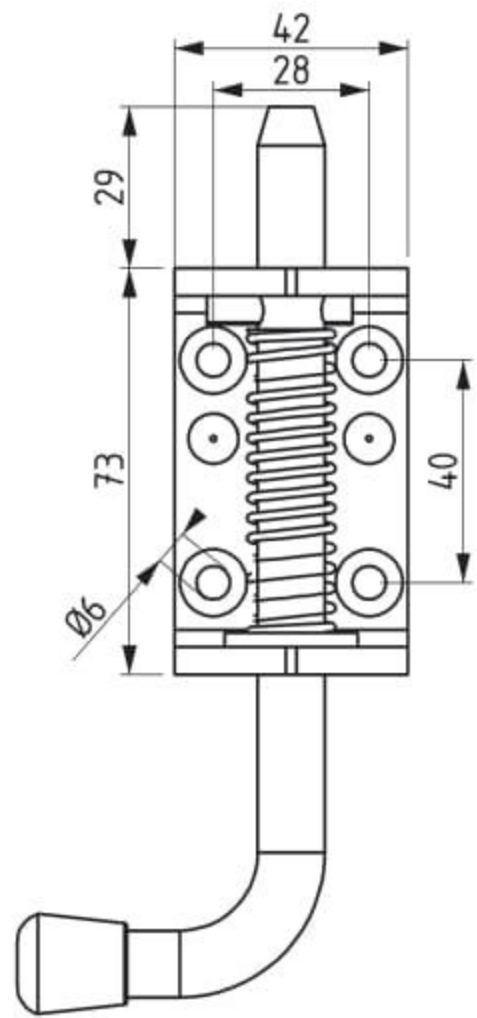
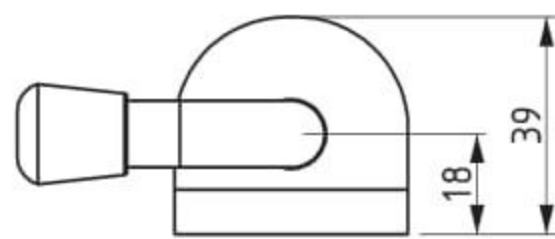
Locked position



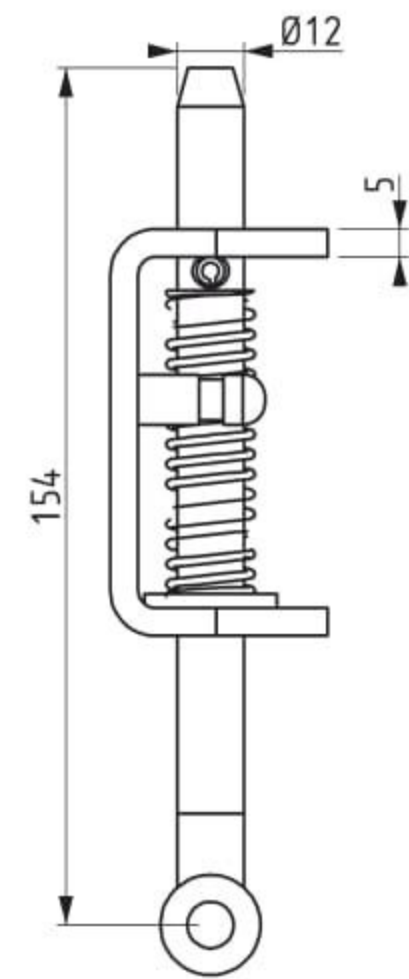
Stroke length: 29 mm



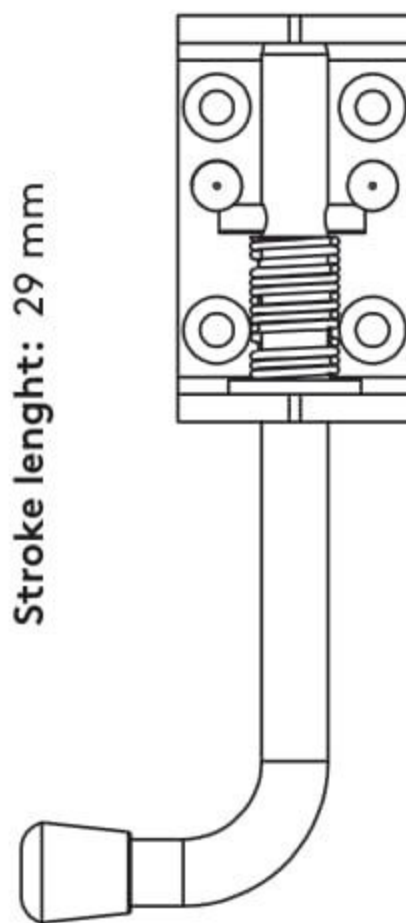
Open position  
Should hold with hand



Locked position



Stroke length: 29 mm



Open position

2750

SPRING LOADED LATCH WITHOUT STUD



- Versatile galvanized steel latch great for wood or metal application.

MATERIAL

Body : Steel  
Pin : Steel  
Finish : Zinc Plated

2751

SPRING LOADED LATCH WITH STUD



- Pin system allows for the latch to be locked in the open position.
- Non-directional.

MATERIAL

Body : Steel  
Pin : Steel  
Finish : Zinc Plated

PRODUCT CODE

