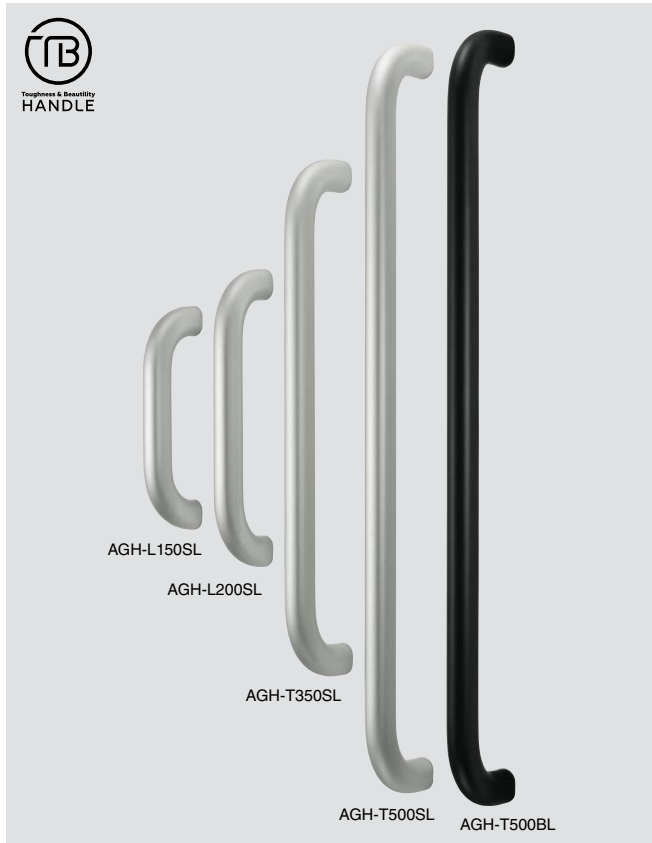


DESIGN HANDLE (STRAIGHT TYPE)

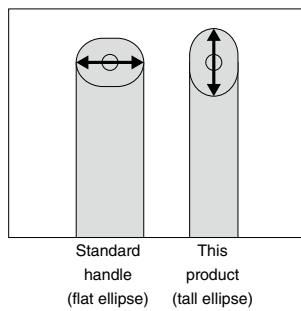
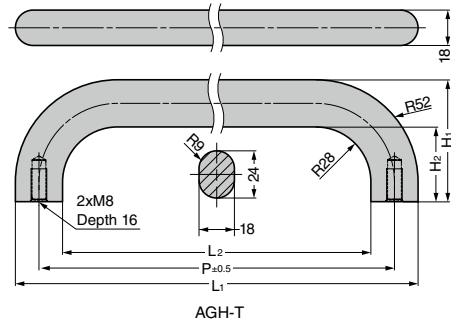
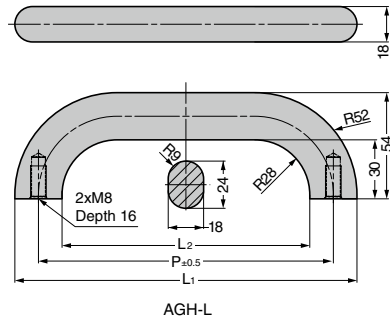
TEST METHOD 1

AGH-L/AGH-T



Features

- Elliptical profile combines minimalist look with maximum grip.
- Available in different heights.



CAD	Item Code	Item Name	Material	Finish	L <sub>1</sub>	L <sub>2</sub>	P	Load Capacity N	Load Capacity kgf	Weight (g)	Box (pcs)	Carton (pcs)
2030	100-036-962	AGH-L150SL	Aluminium Alloy	Matte Silver/Anodised	174	126	150	350	36	191	5	40
2030	100-036-963	AGH-L150BL		Matte Black/Anodised							5	40
2030	100-036-964	AGH-L200SL		Matte Silver/Anodised	224	176	200			240	5	40
2030	100-036-965	AGH-L200BL		Matte Black/Anodised							5	40
2030	100-036-966	AGH-L350SL		Matte Silver/Anodised	374	326	350			387	5	20
2030	100-036-967	AGH-L350BL		Matte Black/Anodised							5	20
2030	100-036-968	AGH-L500SL		Matte Silver/Anodised	524	476	500			536	5	20
2030	100-036-969	AGH-L500BL		Matte Black/Anodised							5	20

CAD	Item Code	Item Name	Material	Finish	L <sub>1</sub>	L <sub>2</sub>	H <sub>1</sub>	H <sub>2</sub>	P	Load Capacity N	Load Capacity kgf	Weight (g)	Box (pcs)	Carton (pcs)
2030	100-036-958	AGH-T350SL	Aluminium Alloy	Matte Silver/Anodised	374	326	62	38	350	350	36	402	5	20
2030	100-036-959	AGH-T350BL		Matte Black/Anodised									5	20
2030	100-036-960	AGH-T500SL		Matte Silver/Anodised	524	476	64	40	500			553	5	20
2030	100-036-961	AGH-T500BL		Matte Black/Anodised									5	20