

Please read this instruction sheet carefully for proper installation and operation. Incorrect installation and improper use of the product may damage the unit or cause injury.

COMPONENT PART

About this product

- This is a one-way type torque stay which allows smooth operation since it prevents the generation of unnecessary torque when lifting the door.

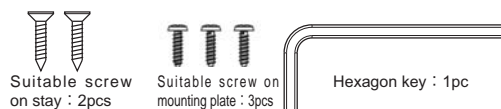
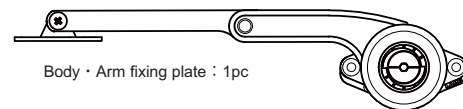
Check the following graph for possible installation positions.

- This product is designed to operate at room temperatures between 0°C to 40°C (32F-104F).

In order to use the product in a safe way

CAUTION If not followed injury or damage may result.

- 1 Make sure that installation position and specifications are followed.
- 1 Please don't place any item / load on the cabinet doors during in the open position. Also please make sure to use a support for the door / flap while doing installation.
- 1 It is necessary to periodically check the fixing screws for loosening. Tighten any loose screws if required.
- 1 Torque should be adjusted at room temperatures between 0°C and 40°C .
- 1 If the Torque lowers, readjust as required.
- 1 When using several stays on the same door, make sure that the torque adjustment is the same. If not, the load might be concentrated on one stay and affect the functionality and life cycle of the product.
- 1 Do not force the door to close faster. It can cause damage to the product.

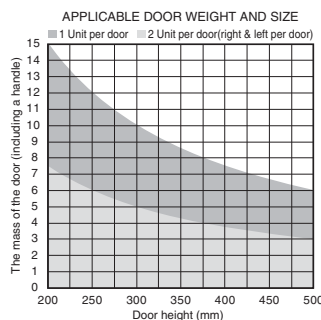
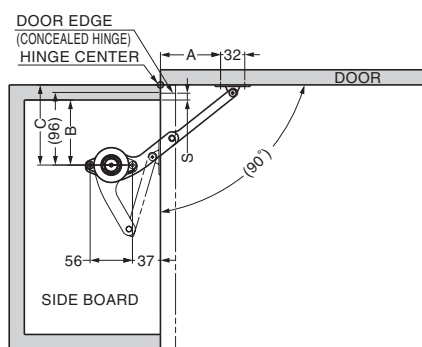


Model

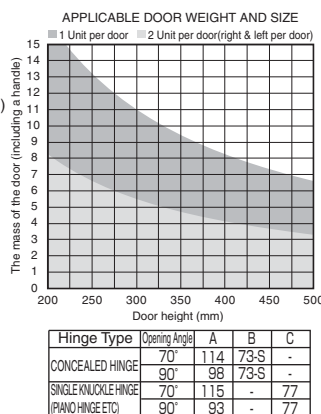
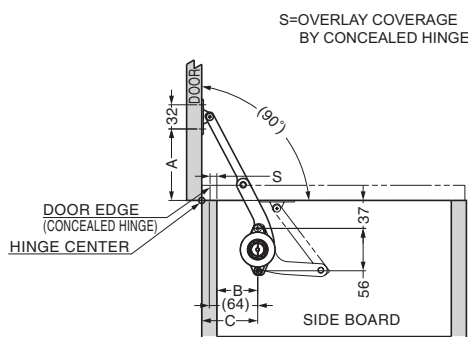
Code No	Item No.	Application	Position
180-028-990	S-TAR-2030L	Upward Opening Flap / Top Opening Flap	Left
180-028-991	S-TAR-2030R		Right
180-028-992	S-TAR-10L	Downward Opening Flap	Left
180-028-993	S-TAR-10R		Right

LOCATION TO BE MOUNTED (90° OPENING)

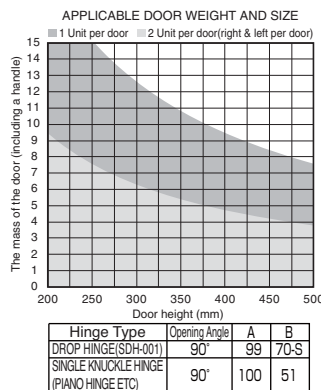
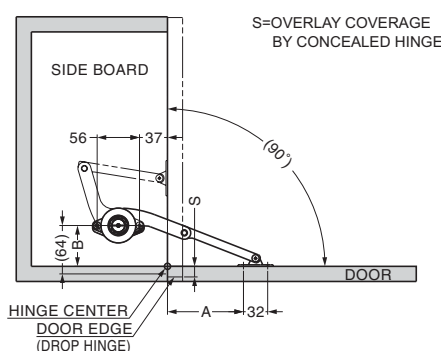
Upward Opening Door



Top Opening Door



Downward Opening Door

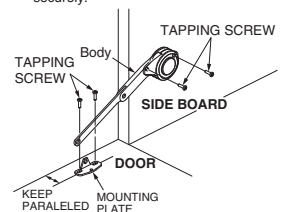


INSTALLATION PROCEDURE & TORQUE ADJUSTMENT

STEP-1

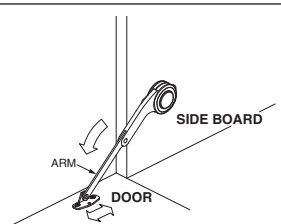
Firmly fix the body to a predetermined position of the side plate with the self-tapping screw. Fix the washer temporarily to the predetermined positions of the door.

⚠ If this product is used with a loose body self-tapping screw, it might not function properly. Therefore tighten the screws securely.



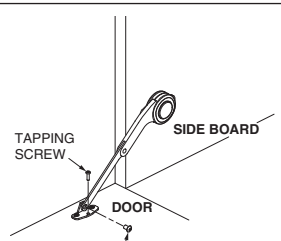
STEP-2

Rotate the body to the put arm into the slot on the arm fixing plate. To adjust the opening angle of the door, loosen the screws in the slots of the mounting plate, and adjust the position.



STEP-3

When the adjustment is finished, secure the screw of the long hole and then secure it with the self-tapping screw round hole. Last, secure it with the arm mounting screws.

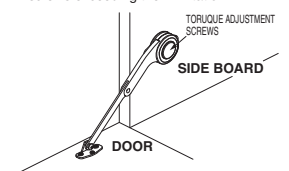


TORQUE ADJUSTMENT

When installation is finished, check the movement by opening and closing the door, and then adjusted it by using an Allen wrench that came with the torque adjustment screw door so that the free-stop works properly.

Weaker (O) Stronger

⚠ Do not try to turn the torque adjustment screws exceeding their limitation.



SUGATSUNE KOGYO CO.,LTD
Tokyo, JAPAN
Phone: +81 (0)3 3866 2260 E-mail:export@sugatsune.co.jp

SUGATSUNE KOGYO (UK) LTD
Reading, UK
Phone: +44 118 9272 955 E-mail:sales@sugatsune.co.uk

SUGATSUNE EUROPE GmbH
Düsseldorf, GERMANY
Phone: +49 211 53812900 E-mail:sales@sugatsune.eu
ISO9001(Japan Offices and Sugatsune America) and ISO14001(Chiba Production division and Logistics center), certified.

SUGATSUNE SHANGHAI Co., LTD
Shanghai, CHINA
Phone: +86 21 3632 1858 E-mail:lamp@sugatsune.com.cn

Guangzhou, CHINA
Phone: +86 20 6639 3552 E-mail:lamp@sugatsune.com.cn

SUGATSUNE KOGYO INDIA PRIVATE LIMITED
Mumbai, INDIA
Phone: +91 22 28314490/91 E-mail:sales@sugatsune.in

SUGATSUNE AMERICA, INC
California, USA
Phone: +1 310 329 6373 E-mail:sales@sugatsune.com

Chicago, USA
Phone: +1 312 461 1081 E-mail:chicagoshowroom@sugatsune.com.

SUGATSUNE CANADA, INC.
Phone: +1 514 312 5267 E-mail:support@sugatsune.ca