



S-TAR

FREE-STOP STAY (ONE WAY)

LID SUPPORTS

FREE-STOP STAY (ONE WAY)



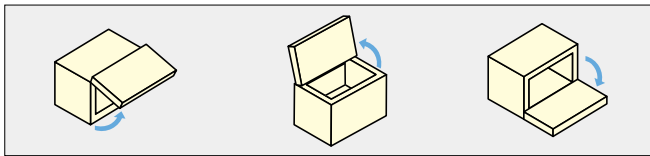
S-TAR-2030R



S-TAR-2030R



S-TAR-10R



Features

- Torque stay for upward-opening, downward-opening and top-opening door flaps.
- Free-stop: door flaps holds position at any desired angle.
- One way-torque: torque only occurs in one direction, making door flap easy to open.
- Torque adjustable.
- Successfully passed 30,000 open/close cycles in a private test.

Remarks

- Operating temperature : 0°C - 40°C
- The torque may vary depending on the temperature of the operating environment. Torque adjustment should be done at room temperature.
- If there is a reduction in the torque, please readjust it.

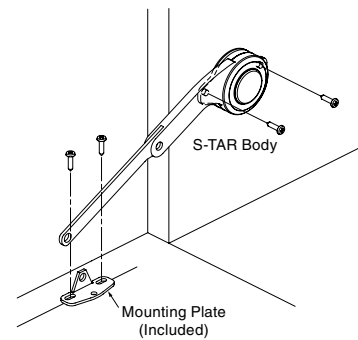
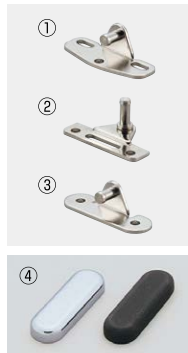
Parts Included

- Mounting plate
- Countersunk head tapping screw 4x20
- Binding head tapping screw 3.5x15
- Allen key 4

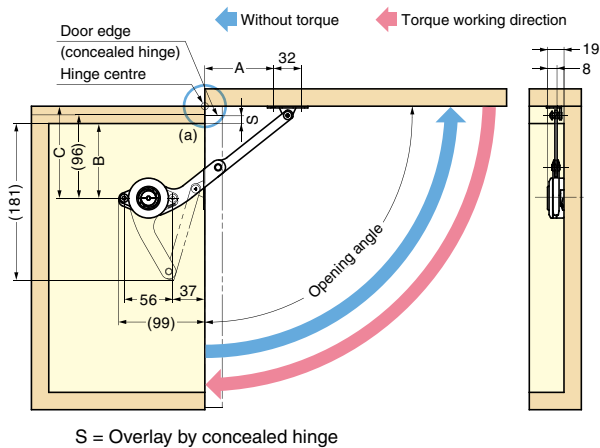
Optional Parts

- ① Mounting plate NSDX-CZ (P.522)
- ② Mounting plate NSDX-AZ for 20 mm aluminium frame (P.522)
- ③ Mounting plate NSDX-GZ for glass door (P.522)
- ④ SDS-50G for glass door (P.522)

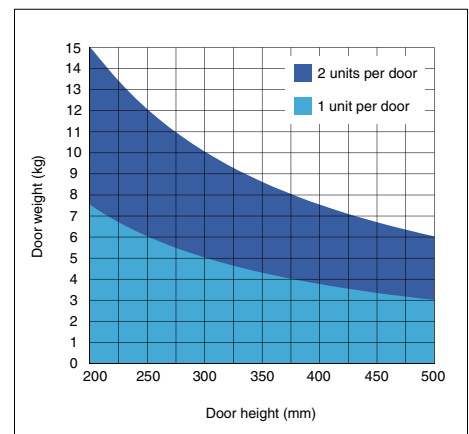
Optional Parts ①-④



Installation (Upward-opening)



Door Size Ranges (Upward-opening)

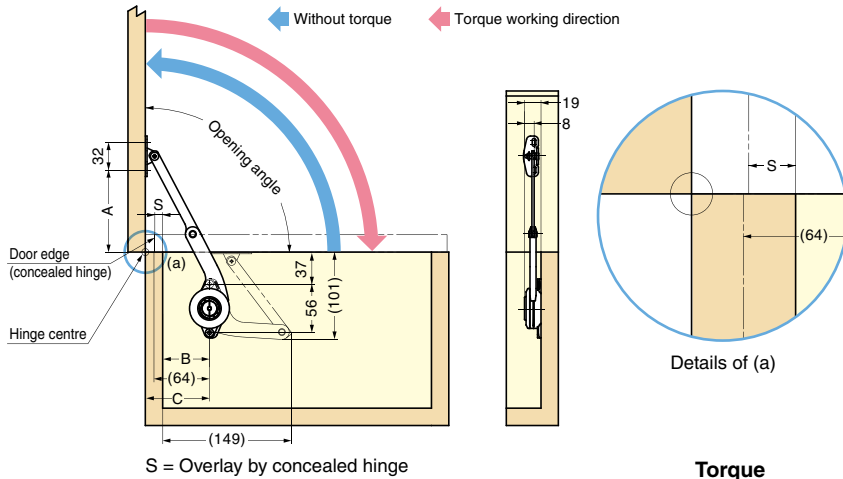


Hinge Type	Opening Angle	A	B	C
Concealed Hinge	80°	98	105-S	-
Concealed Hinge	90°	88	105-S	-
Concealed Hinge	100°	80	105-S	-
Single Knuckle Hinge	80°	90	-	109
Single Knuckle Hinge	90°	77	-	109
Single Knuckle Hinge	100°	66	-	109

Torque

- With 1 stay
Torque = Max. 7.4 N-m (75 kgf-cm)
- With 2 stays, Max. torque is 14.8 N-m (150 kgf-cm).

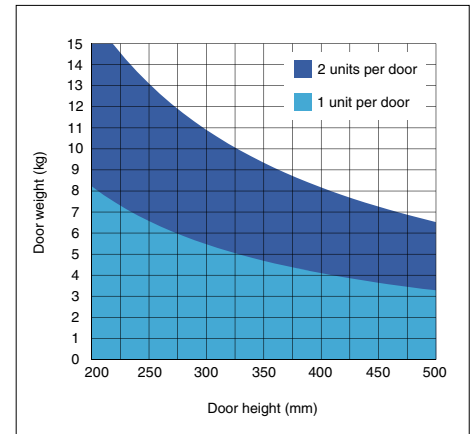
Installation (Top-opening)



S = Overlay by concealed hinge

Hinge	Opening Angle	A	B	C
Concealed Hinge	70°	114	73-S	-
Concealed Hinge	90°	98	73-S	-
Single Knuckle Hinge	70°	115	-	77
Single Knuckle Hinge	90°	93	-	77

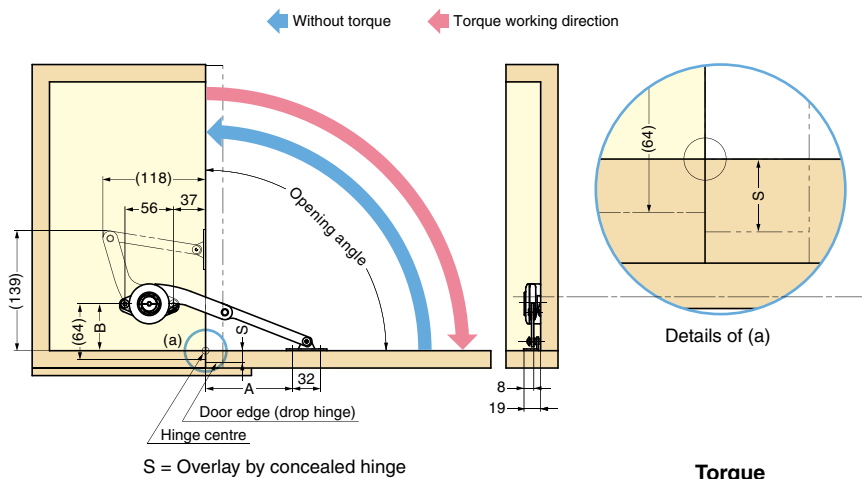
Door Size Ranges (Top-opening)



Torque

- With 1 stay
Torque = Max. 8.1 N·m (82 kgf·cm)
- With 2 stays, Max. torque is 16.2 N·m (164 kgf·cm).

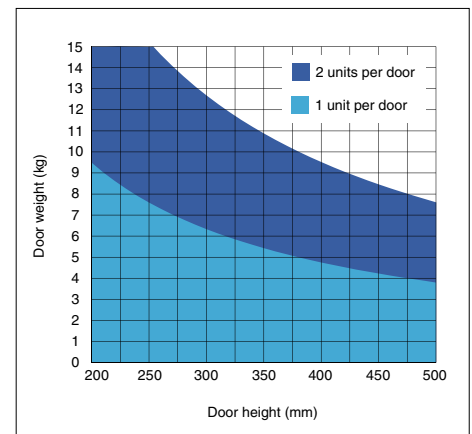
Installation (Downward-opening)



S = Overlay by concealed hinge

Hinge	Opening Angle	A	B
Concealed Hinge	90°	99	70-S
Single Knuckle Hinge	90°	100	51

Door Size Ranges (Downward-opening)



Torque

- With 1 stay
Torque = Max. 9.3 N·m (94 kgf·cm)
- With 2 stays, Max. torque is 18.6 N·m (188 kgf·cm).

Body

Item Code	Item Name	Material	Type	Opening	Weight	Box	Carton
180-028-991	S-TAR-2030R	Zinc Alloy (ZDC), Steel	Right	Upward-opening, Top-opening	266 g	20 pcs	40 pcs
180-028-990	S-TAR-2030L	Zinc Alloy (ZDC), Steel	Left	Upward-opening, Top-opening	266 g	20 pcs	40 pcs
180-028-993	S-TAR-10R	Zinc Alloy (ZDC), Steel	Right	Downward-opening	266 g	20 pcs	40 pcs
180-028-992	S-TAR-10L	Zinc Alloy (ZDC), Steel	Left	Downward-opening	266 g	20 pcs	40 pcs

Drop Hinge (Sold Separately) (P.411-412)

Item Code	Item Name	Type	Finish/Colour
170-090-471	SDH-001	-	Nickel
170-010-648	SDH-001BL	-	Black
170-016-331	SDH-G	Glass Door	Nickel

SDH-G: The face plate also needed.

Face Plate and Spacer of SDS for Glass Door (Sold Separately)

Please use with NSDX-GZ below.

Item Code	Item Name	Material	Finish/Colour
180-100-260	SDS-50G-CR	Zinc Alloy (ZDC)/ABS	Chrome/Black
180-928-046	SDS-50G-BL	Zinc Alloy (ZDC)/ABS	Black

Mounting Plate (Sold Separately) (P.522)

Item Code	Item Name	Type
180-109-460	NSDX-CZ	Clip Type
180-109-019	NSDX-AZ	For 20 mm Aluminium Frame Door
180-109-459	NSDX-GZ	For Glass Door