

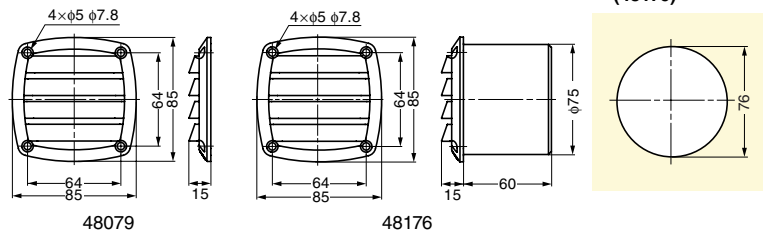
## VENTILATOR

48079, 48176



## Features

Standard type and flange type are available.



Item Code	Item Name	Type	Material	Colour	Max. Exhaust Area	Weight	Carton
210-028-872	480794	Standard	Polyamide (PA)	White	≈ 1276 mm <sup>2</sup>	30 g	500 pcs
210-028-871	480792	Standard	Polyamide (PA)	Black	≈ 1276 mm <sup>2</sup>	30 g	500 pcs
210-028-874	481764	Flange	Polyamide (PA)	White	≈ 1276 mm <sup>2</sup>	85 g	100 pcs
210-028-873	481762	Flange	Polyamide (PA)	Black	≈ 1276 mm <sup>2</sup>	85 g	100 pcs

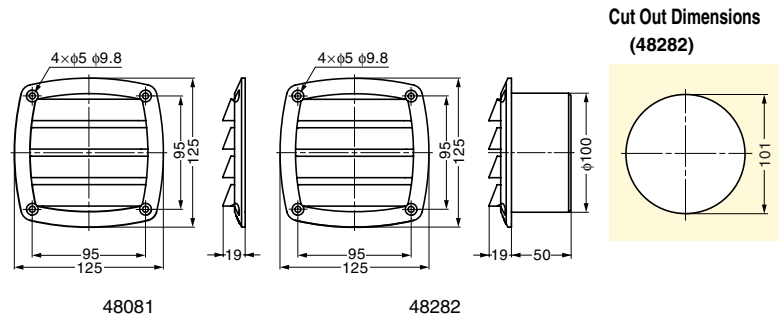
## VENTILATOR

48081, 48282



## Features

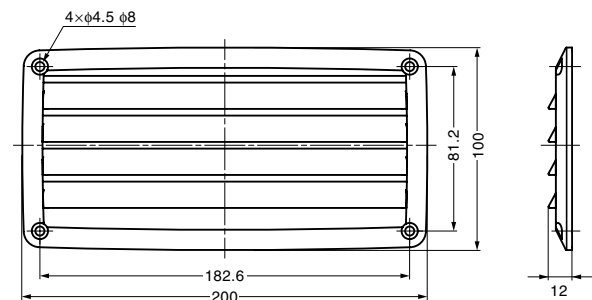
Standard type and flange type are available.



Item Code	Item Name	Type	Material	Colour	Max. Exhaust Area	Weight	Carton
210-028-868	480814	Standard	Polyamide (PA)	White	≈ 2136 mm <sup>2</sup>	68 g	200 pcs
210-028-867	480812	Standard	Polyamide (PA)	Black	≈ 2136 mm <sup>2</sup>	68 g	200 pcs
210-028-870	482824	Flange	Polyamide (PA)	White	≈ 2136 mm <sup>2</sup>	128 g	100 pcs
210-028-869	482822	Flange	Polyamide (PA)	Black	≈ 2136 mm <sup>2</sup>	128 g	100 pcs

## VENTILATOR

48080



Item Code	Item Name	Material	Colour	Max. Exhaust Area	Weight	Carton
210-028-876	480804	Polyamide (PA)	White	≈ 3700 mm <sup>2</sup>	86 g	200 pcs
210-028-875	480802	Polyamide (PA)	Black	≈ 3700 mm <sup>2</sup>	86 g	200 pcs