

## BASE

## BJ610

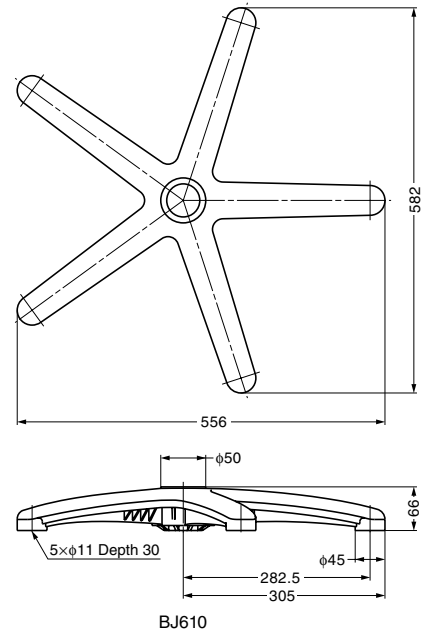


## Features

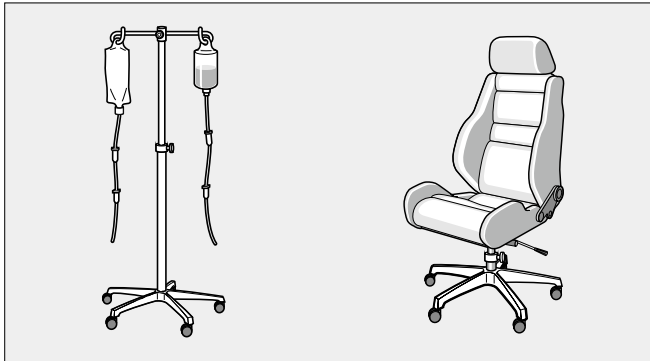
- Polyamide body resistances to chemicals.
- For  $\phi 50.8$  pipe.
- Can be used for  $\phi 25$ ,  $\phi 32$ ,  $\phi 38$  pipe with optional spacer (HOS) & optional fixing plate (HOS-Z).

## Remarks

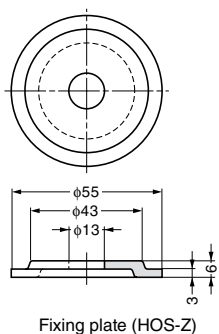
Screws not included.



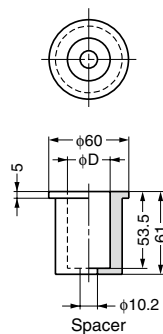
## Application Example



## Spacer (Optional Parts)



Fixing plate (HOS-Z)

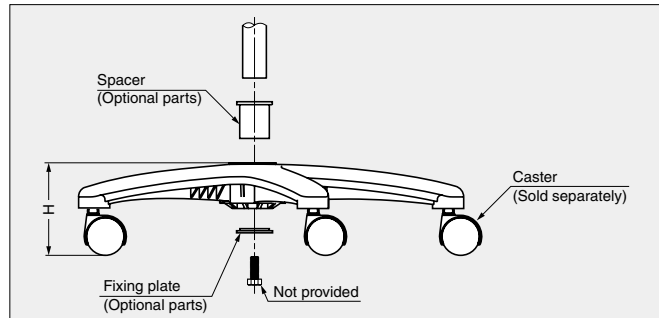


Spacer



Caster (Sold separately)

## Installation



## Base

Item Code	Item Name	Material	Colour	Weight	Carton
200-881-319	BJ610	Reinforced Nylon	Dark Grey	1.8 kg	10 pcs

## Spacer (Optional Parts)

Item Code	Item Name	Material	Colour	D	Weight	Carton
200-881-320	HOS-25	Polyamide (PA)	Black	25	102 g	100 pcs
200-881-321	HOS-32	Polyamide (PA)	Black	32	85 g	100 pcs
200-881-322	HOS-38	Polyamide (PA)	Black	38	62 g	100 pcs

## Fixing Plate (Optional Parts) for Spacer

Item Code	Item Name	Material	Finish	Weight	Carton
200-881-323	HOS-Z	Stainless Steel (SUS304)	Polished	50 g	250 pcs

## Caster (Sold Separately)

Item Code	Item Name	Material	Colour	Wheel Dia.	H	Weight	Carton
200-881-324	CTW38	Polyamide (PA)/ Urethane	Black	$\phi 50$	126	119 g	100 pcs