

BASE

HO500

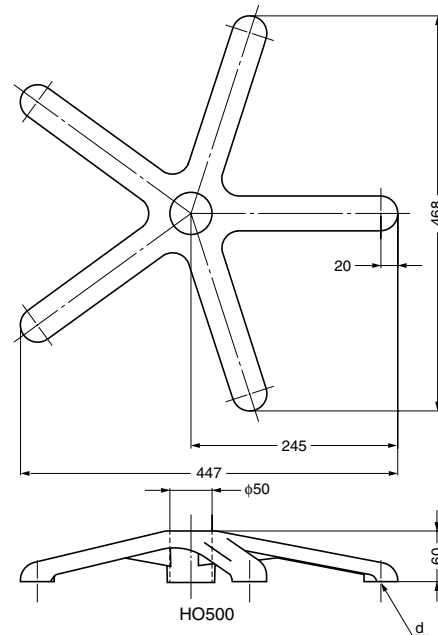


Features

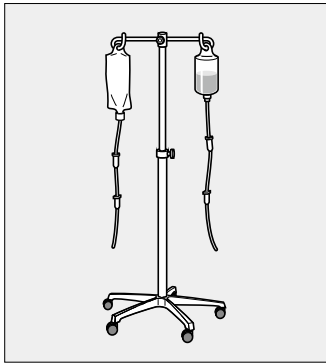
- Light and tough aluminium body.
- For $\phi 50.8$ pipe.
- Can be used for $\phi 25$, $\phi 32$, $\phi 38$ pipe with optional spacer (HOS) & optional fixing plate (HOS-Z).

Remarks

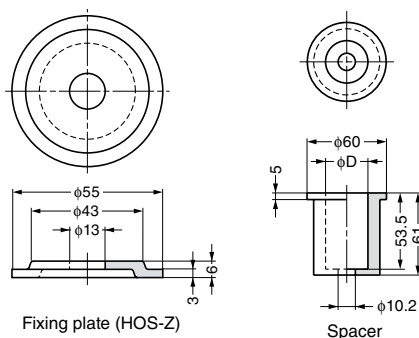
Screws not included.



Application Example

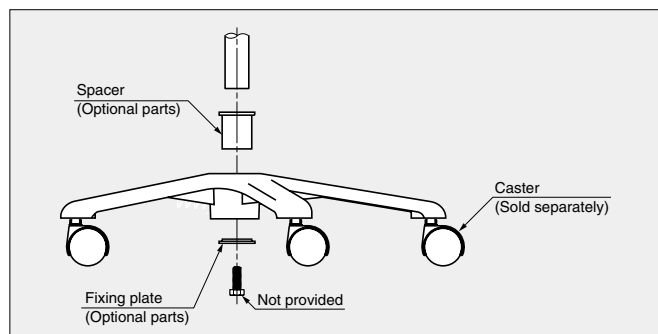


Spacer (Optional Parts)



Caster (Sold separately)

Installation



Base

Item Code	Item Name	d	Material	Finish	Weight	Carton
200-881-326	HO500N3	W3/8	Aluminium Alloy	Mirror	1.3 kg	5 pcs
200-025-048	HO500M10	M10	Aluminium Alloy	Mirror	1.3 kg	5 pcs

Spacer (Optional Parts)

Item Code	Item Name	Material	Colour	D	Weight	Carton
200-881-320	HOS-25	Polyamide (PA)	Black	25	102 g	100 pcs
200-881-321	HOS-32	Polyamide (PA)	Black	32	85 g	100 pcs
200-881-322	HOS-38	Polyamide (PA)	Black	38	62 g	100 pcs

Fixing Plate (Optional Parts) for Spacer

Item Code	Item Name	Material	Finish	Weight	Carton
200-881-323	HOS-Z	Stainless Steel (SUS304)	Polished	50 g	250 pcs