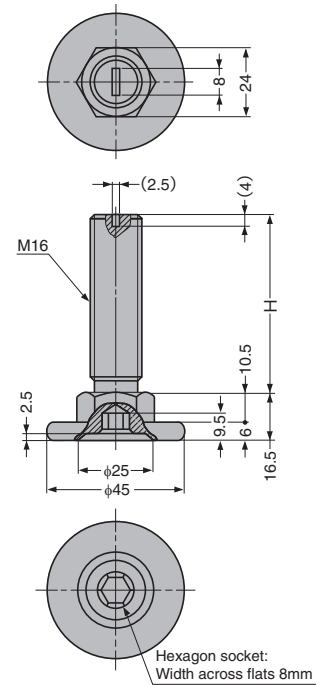


LEVELLING GLIDE **KYW**

- Slotted top of threaded bolt and hexagon socket at the bottom allows easy installation and adjustment.

**[Applications]**

- Machine tools, vending machines, etc.



RohS	CAD	Item Code	Item Name	Material	Finish	H	Weight (g)	Box (pcs)	Carton (pcs)
✓	3D	200-147-000	★KYW16-60-6B	Steel (SWRM)	Black Chromate	60	180	120	–
✓	3D	200-140-712	KYW16-75-6B			75	195	100	–
–	3D	200-147-001	☆KYW16-80-6B			80	205	80	–
✓	3D	200-140-710	KYW16-100-6B			100	235	90	–
✓	3D	200-140-713	KYW16-120-6B			120	250	60	60

★ Discontinued ☆ Limited stock available. Please contact your vender.

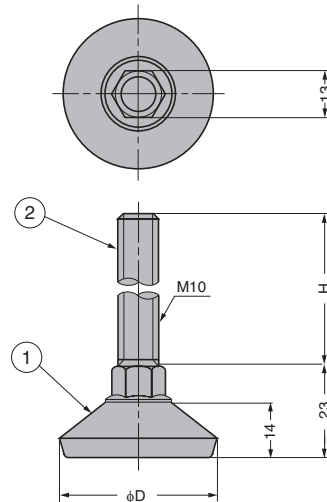
LEVELLING GLIDE **PM**

**LOAD CAPACITY** 1176~2744 N

**TEST METHOD** 14



- Black appearance without compromising the device design.



No.	Part Name	Material	Finish/Colour
①	Body	PA	Black
②	Threaded Bolt	Steel (SWCH)	Black Chromate

RohS	CAD	Item Code	Item Name	D	H	Load Capacity N/pc	Load Capacity kgf/pc	Weight (g)	Box (pcs)	Carton (pcs)
–	3D	200-145-030	PM-30	30	60	1176	120	48	40	400
–	3D	200-145-034	PM-40					50	30	300
–	3D	200-149-032	PM-40-70	38	47	2744	280	49	30	300
–	3D	200-149-161	PM-50	50	60	1960	200	55	20	200