

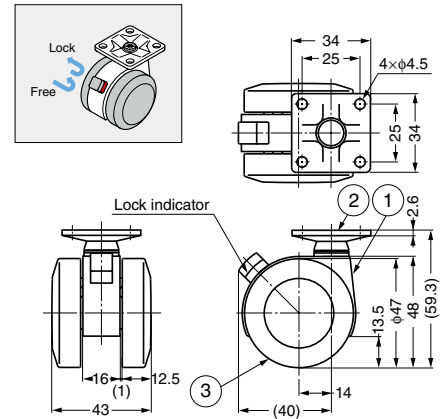
## TWIN WHEEL CASTER (PLATE TYPE)

### FA45P



#### Features

Thanks to the light weight aluminium body, the caster is strong and smart looking.



Item Code	Item Name	Type	Load Capacity N	Load Capacity kgf	Weight	Box	Carton
200-133-213	FA45PSR	With Brake	490 N	50 kgf	117 g	4 pcs	100 pcs
200-133-212	FA45PR	Without Brake	490 N	50 kgf	113 g	4 pcs	100 pcs

No.	Part Name	Material	Finish/Colour
①	Body	Aluminium Alloy	Silver
②	Plate	Steel	Zinc Chromate
③	Wheel	Polyamide (PA)	Black

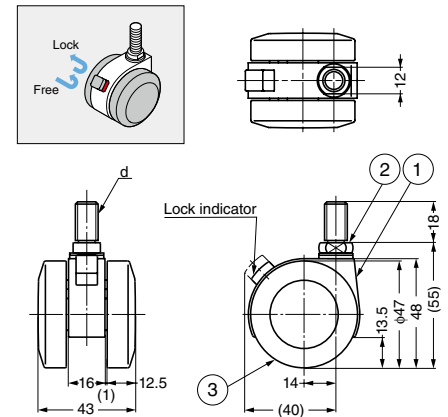
## TWIN WHEEL CASTER (THREADED BOLT TYPE)

### FA45N



#### Features

Thanks to the light weight aluminium body, the caster is strong and smart looking.



Item Code	Item Name	Type	d	Load Capacity N	Load Capacity kgf	Weight	Box	Carton
200-133-211	FA45N 3SR	With Brake	W3/8	490 N	50 kgf	100 g	4 pcs	100 pcs
200-133-210	FA45N 3R	Without Brake	W3/8	490 N	50 kgf	97 g	4 pcs	100 pcs
200-133-215	FA45N10SR	With Brake	M10	490 N	50 kgf	100 g	4 pcs	100 pcs
200-133-209	FA45N10R	Without Brake	M10	490 N	50 kgf	97 g	4 pcs	100 pcs

No.	Part Name	Material	Finish/Colour
①	Body	Aluminium Alloy	Silver
②	Threaded Bolt	Steel	Zinc Chromate
③	Wheel	Polyamide (PA)	Black

## TWIN WHEEL CASTER (INSERT BOLT TYPE)

### FA45S

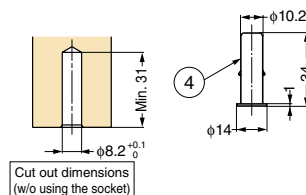
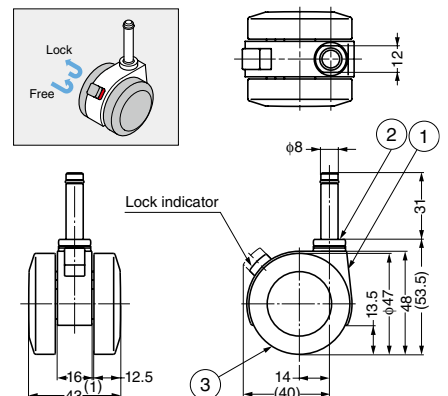


#### Features

Thanks to the light weight aluminium body, the caster is strong and smart looking.

#### Parts Included

Socket



Item Code	Item Name	Type	Load Capacity N	Load Capacity kgf	Weight	Box	Carton
200-130-901	FA45SSR	With Brake	490 N	50 kgf	102 g	4 pcs	100 pcs
200-130-902	FA45SR	Without Brake	490 N	50 kgf	100 g	4 pcs	100 pcs

No.	Part Name	Material	Finish/Colour
①	Body	Aluminium Alloy	Silver
②	Insert Bolt	Steel	Zinc Chromate
③	Wheel	Polyamide (PA)	Black
④	Socket	Steel	Zinc Chromate