

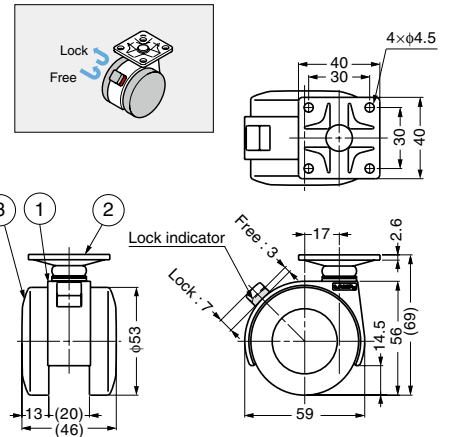
TWIN WHEEL CASTER (PLATE TYPE)

FA55P



Features
Thanks to the light weight aluminium body, the caster is strong and smart looking.

Caster bracket FA55-FIX to lock swivel available (P.740).



Item Code	Item Name	Type	Load Capacity N	Load Capacity kgf	Weight	Box	Carton
200-133-258	FA55PSR	With Brake	784 N	80 kgf	176 g	4 pcs	72 pcs
200-133-263	FA55PR	Without Brake	784 N	80 kgf	171 g	4 pcs	72 pcs

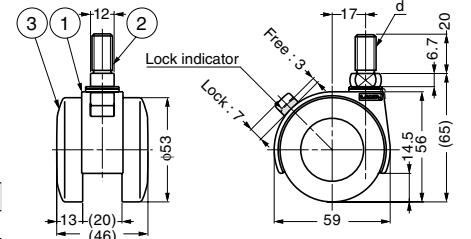
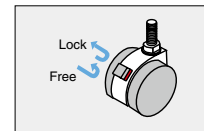
No.	Part Name	Material	Finish/Colour
①	Body	Aluminium Alloy	Silver
②	Plate	Steel	Zinc Chromate
③	Wheel	Polyamide (PA)	Black

TWIN WHEEL CASTER (THREADED BOLT TYPE)

FA55N



Features
Thanks to the light weight aluminium body, the caster is strong and smart looking.



Item Code	Item Name	Type	d	Load Capacity N	Load Capacity kgf	Weight	Box	Carton
200-133-259	FA55N 3SR	With Brake	W3/8	784 N	80 kgf	152 g	4 pcs	72 pcs
200-133-264	FA55N 3R	Without Brake	W3/8	784 N	80 kgf	147 g	4 pcs	72 pcs
200-133-260	FA55N10SR	With Brake	M10	784 N	80 kgf	152 g	4 pcs	72 pcs
200-133-265	FA55N10R	Without Brake	M10	784 N	80 kgf	147 g	4 pcs	72 pcs
200-133-261	FA55N12SR	With Brake	M12	784 N	80 kgf	152 g	4 pcs	72 pcs
200-133-266	FA55N12R	Without Brake	M12	784 N	80 kgf	147 g	4 pcs	72 pcs

No.	Part Name	Material	Finish/Colour
①	Body	Aluminium Alloy	Silver
②	Threaded Bolt	Steel	Zinc Chromate
③	Wheel	Polyamide (PA)	Black

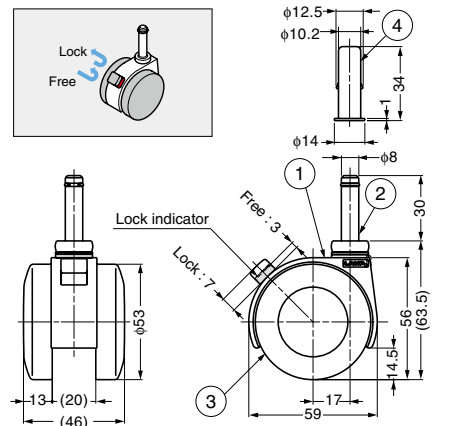
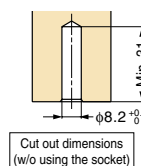
TWIN WHEEL CASTER (INSERT BOLT TYPE)

FA55S



Features
Thanks to the light weight aluminium body, the caster is strong and smart looking.

Parts Included
Socket



Item Code	Item Name	Type	Load Capacity N	Load Capacity kgf	Weight	Box	Carton
200-130-905	FA55SSR	With Brake	784 N	80 kgf	157 g	4 pcs	72 pcs
200-130-906	FA55SR	Without Brake	784 N	80 kgf	152 g	4 pcs	72 pcs

No.	Part Name	Material	Finish/Colour
①	Body	Aluminium Alloy	Silver
②	Insert Bolt	Steel	Zinc Chromate
③	Wheel	Polyamide (PA)	Black
④	Socket	Steel	Zinc Chromate