

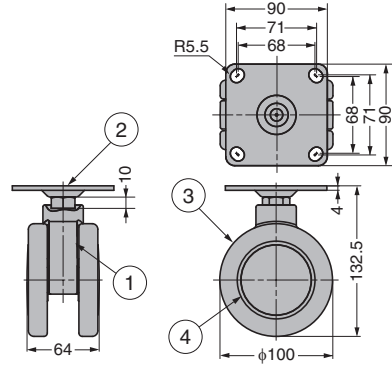
## TWIN WHEEL CASTER MUDR-100GP Plate & Non-swivel Type

**LOAD CAPACITY 784 N**


- Non-swivel type of MFD caster. Use in combination with MFDB-100GP and MFD-100GP **1** for stable movement. Besides, swivel type and non-swivel type can be unified with the same design.
- Wheels are coated in polyurethane which absorbs vibration and gives an extra smooth and quiet movement.

### [Remarks]

- May have hydrolysis reaction depending on usage environment and aging.



| No. | Part Name | Material             | Finish/Colour          |
|-----|-----------|----------------------|------------------------|
| ①   | Body      | Reinforced Polyamide | Light Grey             |
| ②   | Plate     | Steel                | Coloured Zinc Chromate |
| ③   | Wheel     | PA, PUR              | Light Grey             |
| ④   | Cover     | PP                   |                        |

| RoHS | CAD | Item Code   | Item Name  | Load Capacity N/pc | Load Capacity kgf/pc | Weight (g) | Box (pcs) | Carton (pcs) |
|------|-----|-------------|------------|--------------------|----------------------|------------|-----------|--------------|
| -    | 3D  | 200-130-366 | MUDR-100GP | 784                | 80                   | 775        | 24        | -            |

 Refer to **1** : P.776