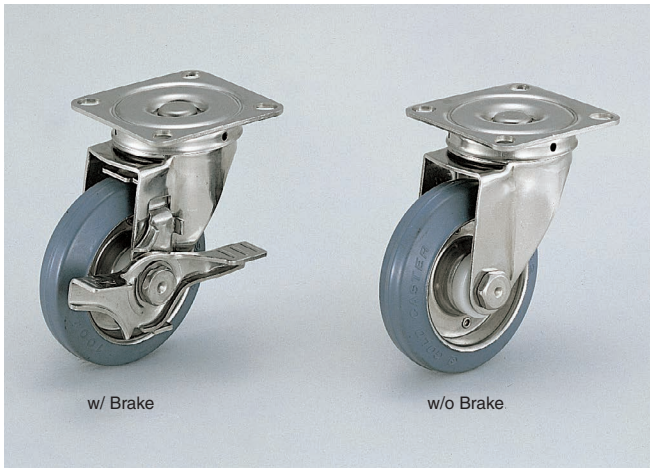


STAINLESS STEEL CASTER (PLATE TYPE)



SUS-SJ

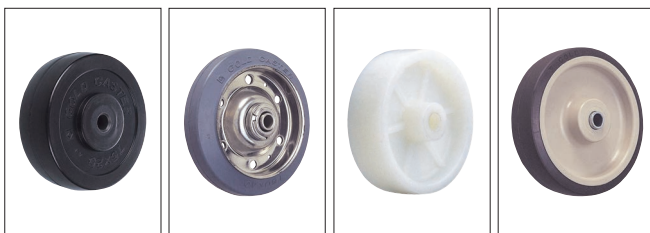
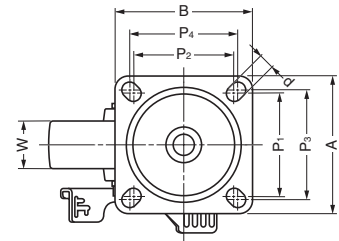


Features

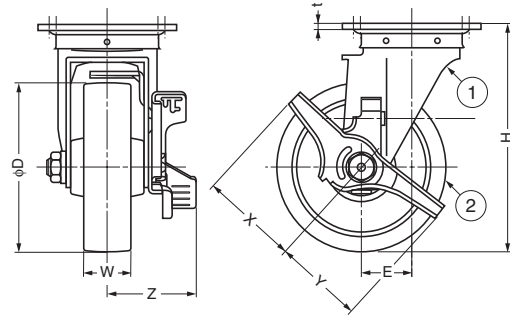
Made of corrosion resistant 304 stainless steel. Ideal for humid environments, laboratories, kitchens etc.

Remarks

Rubber wheel $\phi 100$, $\phi 125$, $\phi 150$ have metallic plate.



R: Rubber wheel
 R: Rubber wheel (w/ Bearing)
 N: Polyamide wheel
 UWB: Polyurethane wheel (w/ Bearing)



No.	Material	Finish/Colour
①	Stainless Steel (SUS304)	Satin
②	Polyamide (PA)	As below
	Urethane	As below

Item Code	Item Name	Type	Wheel	Wheel Colour	D	W	H	E	A	B	P ₁	P ₂	P ₃	P ₄	d	t	X	Y	Z	Load Capacity	Load Capacity	Weight	Carton
200-134-216	SUS-SJ65-S-R	With Brake	Rubber	Black	65	25	85	29	70	58	55	42	-	-	8.8	2	38	37	45	490 N	50 kgf	380 g	40 pcs
200-134-218	SUS-SJ65-S-N	With Brake	Polyamide	White	65	25	85	29	70	58	55	42	-	-	8.8	2	38	37	45	686 N	70 kgf	320 g	40 pcs
200-134-220	SUS-SJ65-S-UWB	With Brake	Urethane (With Bearing)	Ivory/Dark Brown	65	25	85	29	70	58	55	42	-	-	8.8	2	38	37	45	686 N	70 kgf	340 g	40 pcs
200-134-215	SUS-SJ65-R	Without Brake	Rubber	Black	65	25	85	29	70	58	55	42	-	-	8.8	2	-	-	-	490 N	50 kgf	340 g	50 pcs
200-134-217	SUS-SJ65-N	Without Brake	Polyamide	White	65	25	85	29	70	58	55	42	-	-	8.8	2	-	-	-	686 N	70 kgf	280 g	50 pcs
200-134-219	SUS-SJ65-UWB	Without Brake	Urethane (With Bearing)	Ivory/Dark Brown	65	25	85	29	70	58	55	42	-	-	8.8	2	-	-	-	686 N	70 kgf	300 g	50 pcs
200-134-222	SUS-SJ75-S-R	With Brake	Rubber	Black	75	25	93	28	70	58	55	42	-	-	8.8	2	38	37	45	588 N	60 kgf	420 g	40 pcs
200-134-224	SUS-SJ75-S-N	With Brake	Polyamide	White	75	25	93	28	70	58	55	42	-	-	8.8	2	38	37	45	784 N	80 kgf	360 g	40 pcs
200-134-226	SUS-SJ75-S-UWB	With Brake	Urethane (With Bearing)	Ivory/Dark Brown	75	25	93	28	70	58	55	42	-	-	8.8	2	38	37	45	784 N	80 kgf	380 g	40 pcs
200-134-221	SUS-SJ75-R	Without Brake	Rubber	Black	75	25	93	28	70	58	55	42	-	-	8.8	2	-	-	-	588 N	60 kgf	370 g	50 pcs
200-134-223	SUS-SJ75-N	Without Brake	Polyamide	White	75	25	93	28	70	58	55	42	-	-	8.8	2	-	-	-	784 N	80 kgf	310 g	50 pcs
200-134-225	SUS-SJ75-UWB	Without Brake	Urethane (With Bearing)	Ivory/Dark Brown	75	25	93	28	70	58	55	42	-	-	8.8	2	-	-	-	784 N	80 kgf	320 g	50 pcs
200-134-228	SUS-SJ100-S-R	With Brake	Rubber	Grey	100	32	132	35	90	90	68	68	71	71	11	3	55	53	60	1176 N	120 kgf	1160 g	15 pcs
200-134-230	SUS-SJ100-S-RB	With Brake	Rubber (With Bearing)	Grey	100	32	132	35	90	90	68	68	71	71	11	3	55	53	60	1176 N	120 kgf	1200 g	15 pcs
200-134-232	SUS-SJ100-S-N	With Brake	Polyamide	White	100	32	132	35	90	90	68	68	71	71	11	3	55	53	60	1176 N	120 kgf	950 g	15 pcs
200-134-234	SUS-SJ100-S-NWB	With Brake	Polyamide (With Bearing)	White	100	32	132	35	90	90	68	68	71	71	11	3	55	53	60	1176 N	120 kgf	1030 g	15 pcs
200-134-236	SUS-SJ100-S-UWB	With Brake	Urethane (With Bearing)	Ivory/Dark Brown	100	32	132	35	90	90	68	68	71	71	11	3	55	53	60	1176 N	120 kgf	1070 g	15 pcs
200-134-231	SUS-SJ100-N	Without Brake	Polyamide	White	100	32	132	35	90	90	68	68	71	71	11	3	-	-	-	1176 N	120 kgf	820 g	15 pcs
200-134-233	SUS-SJ100-NWB	Without Brake	Polyamide (With Bearing)	White	100	32	132	35	90	90	68	68	71	71	11	3	-	-	-	1176 N	120 kgf	900 g	15 pcs
200-134-235	SUS-SJ100-UWB	Without Brake	Urethane (With Bearing)	Ivory/Dark Brown	100	32	132	35	90	90	68	68	71	71	11	3	-	-	-	1176 N	120 kgf	940 g	15 pcs
200-134-242	SUS-SJ125-S-NWB	With Brake	Polyamide (With Bearing)	White	125	35	168	38	102	102	75	75	80	80	11	4	70	67	65	1470 N	150 kgf	1510 g	6 pcs
200-134-244	SUS-SJ125-S-UWB	With Brake	Urethane (With Bearing)	Ivory/Dark Brown	125	35	168	38	102	102	75	75	80	80	11	4	70	67	65	1470 N	150 kgf	1590 g	6 pcs
200-134-243	SUS-SJ125-UWB	Without Brake	Urethane (With Bearing)	Ivory/Dark Brown	125	35	168	38	102	102	75	75	80	80	11	4	-	-	-	1470 N	150 kgf	1450 g	10 pcs
200-134-252	SUS-SJ150-S-UWB	With Brake	Urethane (With Bearing)	Ivory/Dark Brown	150	38	190	41	102	102	75	75	80	80	11	4	70	67	65	1568 N	160 kgf	1780 g	6 pcs
200-134-247	SUS-SJ150-RB	Without Brake	Rubber (With Bearing)	Grey	150	40	190	41	102	102	75	75	80	80	11	4	-	-	-	1568 N	160 kgf	1900 g	8 pcs
200-134-251	SUS-SJ150-UWB	Without Brake	Urethane (With Bearing)	Ivory/Dark Brown	150	38	190	41	102	102	75	75	80	80	11	4	-	-	-	1568 N	160 kgf	1650 g	8 pcs

CASTERS & LEVELING GLIDES

STAINLESS STEEL CASTER

