

Flat suction cup (round)

PFG 40 SI-55 N007

Part no.: 10.01.01.00036

<https://www.schmalz.com/10.01.01.00036>



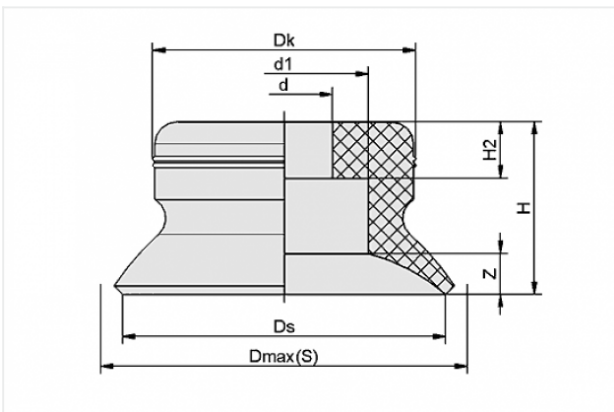
Homepage > Vacuum Technology for Automation > Vacuum Components > Vacuum Suction Cups > Flat Suction Cups (Round) > PFG 40 SI-55 N007

Flat suction cup (round) for smooth or slightly rough surfaces



Size: 40
Suction cup material: Silicone SI
Material hardness: 55 °Sh
Material characteristics:
FDA-compatible

Design Data



Attribute	Value
-----------	-------

d	6 mm
d1	11 mm
Dk	24.3 mm
Dmax(S)	43 mm
Ds	40 mm
H	14 mm
H2	7 mm
Z	3.5 mm

Technical Data

Contact to Schmalz

J. Schmalz GmbH | Johannes-Schmalz-Straße, 72293 Glatten, Deutschland | +49 7443 2403-102 | customercenter@schmalz.de

Attribute	Value
Suction force	57.7 N
Volume	3.912 cm ³
Curve radius (min) (convex)	50 mm
Size	40
Nipple	N 007
Number of folds	0
Suction cup material	Silicone SI
Material hardness	55 °Sh
Weight	7 g
Product family	PFG

Accessories



SU 40

Part no. 10.01.01.12856

Cover for suction cup

Size: 40

Clamping range: 35.0 ... 45.0 mm

Temperature resistance: 80 °C



SA-NIP N007 G1/8-AG DN240

Part no. 10.01.01.03531

Suction cup connection nipple

Nipple: N 007

Thread G1: G1/8-M

Overall length: 21.5 mm

Fitting length: 5 mm

Nominal size: 2,40 mm

Material: Aluminium

Spanner size SW2: 4 mm



SA-NIP N007 G1/8-IG DN350

Part no. 10.01.01.03523

Suction cup connection nipple

Nipple: N 007

Thread G1: G1/8-F

Overall length: 24.5 mm

Fitting length: 16 mm

Nominal size: 3,50 mm

Material: Aluminium

Spanner size SW2: 4 mm