

Flat suction cup (round)

<https://www.schmalz.com/10.01.01.10341>



PFG 40 NBR-AS-55 N007

Part no.: 10.01.01.10341

Homepage > Vacuum Technology for Automation > Vacuum Components > Vacuum Suction Cups > PFG 40 NBR-AS-55 N007

Flat suction cup (round) for smooth or slightly rough surfaces



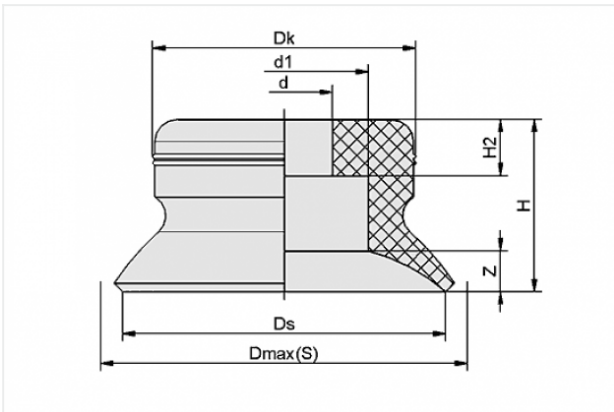
Size: 40

Suction cup material:

Nitrile rubber NBR-antistat

Material hardness: 55 °Sh

Design Data



Attribute	Value
-----------	-------

d	6 mm
---	------

d1	11 mm
----	-------

Dk	24.3 mm
----	---------

Dmax(S)	43 mm
---------	-------

Ds	40 mm
----	-------

H	14 mm
---	-------

H2	7 mm
----	------

Z	3.5 mm
---	--------

Technical Data

Attribute	Value
Suction force	57.7 N

Contact to Schmalz

J. Schmalz GmbH | Johannes-Schmalz-Straße, 72293 Glatten, Deutschland | +49 7443 2403-102 | customercenter@schmalz.de

Attribute	Value
Volume	3.912 cm ³
Curve radius (min) (convex)	50 mm
Size	40
Nipple	N 007
Number of folds	0
Suction cup material	Nitrile rubber NBR-antistat
Material hardness	55 °Sh
Weight	7.5 g
Product family	PFG

Accessories



SU 40

Part no. 10.01.01.12856

Cover for suction cup

Size: 40

Clamping range: 35.0 ... 45.0 mm

Temperature resistance: 80 °C



SA-NIP N007 G1/8-AG DN240

Part no. 10.01.01.03531

Suction cup connection nipple

Nipple: N 007

Thread G1: G1/8-M

Overall length: 21.5 mm

Fitting length: 5 mm

Nominal size: 2,40 mm

Material: Aluminium

Spanner size SW2: 4 mm



SA-NIP N007 G1/8-IG DN350

Part no. 10.01.01.03523

Suction cup connection nipple

Nipple: N 007

Thread G1: G1/8-F

Overall length: 24.5 mm

Fitting length: 16 mm

Nominal size: 3,50 mm

Material: Aluminium

Spanner size SW2: 4 mm