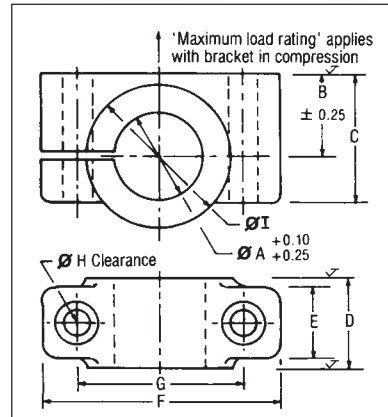


Axle Bracket



This series of four sizes of malleable cast iron axle brackets feature machined bores, bosses and mounting faces.

The brackets are slotted through one mounting hole, allowing the bracket to be positioned by bolting through the solid side, and the axle to be positioned laterally before being clamped by tightening the bolt through the slotted side.

MATERIAL: S.G. Cast Iron to BS2789: 1985: 420/12.

APPROXIMATE WEIGHTS:

B1 SERIES 1.3Kg B2 SERIES 2.3Kg
 B3 SERIES 5.5Kg B4 SERIES 10.2Kg

Bolts can be supplied on request.

BRACKET SERIES	A Axle Ø	PART NUMBER	B	C	D	E	F	G	Ø H	Ø I	Maximum Load Rating
B1	25	B1/25	35	55	40	30	105	70	12	60	3500kg ⁽¹⁾
B1	30	B1/30	35	55	40	30	105	70	12	60	3500kg ⁽¹⁾
B1	35	B1/35	35	55	40	30	105	70	12	60	3500kg ⁽¹⁾
B1	40	B1/40	35	55	40	30	105	70	12	60	3500kg ⁽¹⁾
B2	45	B2/45	45	70	50	40	130	90	16	80	7000kg ⁽¹⁾
B2	50	B2/50	45	70	50	40	130	90	16	80	7000kg ⁽¹⁾
B3	60	B3/60	60	95	65	55	170	120	20	110	12000kg ⁽¹⁾
B3	70	B3/70	60	95	65	55	170	120	20	110	12000kg ⁽¹⁾
B4	75	B4/75	75	115	80	70	210	150	24	140	20000kg ⁽¹⁾
B4	80	B4/80	75	115	80	70	210	150	24	140	20000kg ⁽¹⁾

(1) The 'maximum load rating' applies with the bracket in compression as shown.

AXLE BRACKET