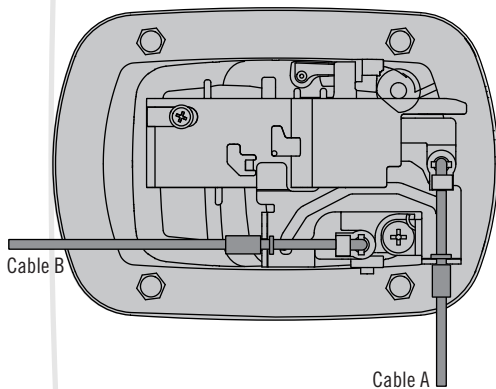
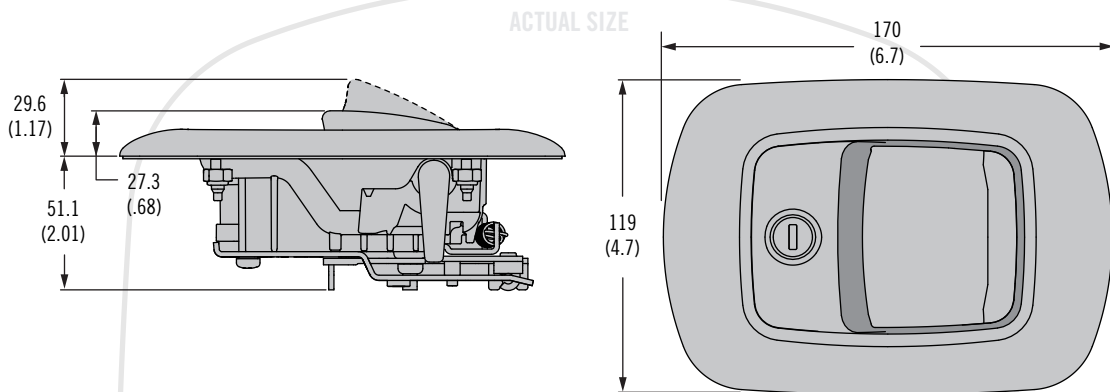


# AC-20 Multi Point Actuator

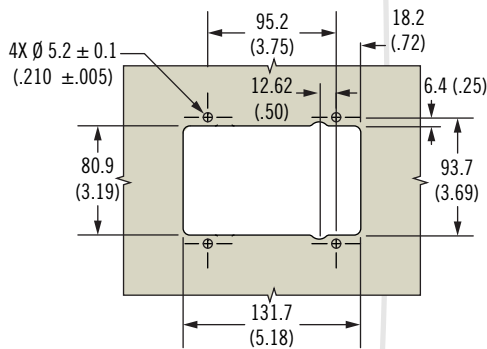
## Pull-to-open Paddle



263B



### Panel Preparation



Maximum Door Thickness - 8 (.32)

- Single or multi-point actuation capability
- Compatible with a wide range of rotary latches
- Environmentally sealed

### Material and Finish

Housing: Glass-filled nylon, black

Paddle: Zinc alloy, black powder coated or chrome plated

### Installation Notes

Maximum tightening torque on supplied mounting nuts 3 N·m (27 in·lbf)

### Notes

For lock core selection and a complete overview of the *SOUTHCO*® Key-Choice System see page 158

Can be configured with 1 or 2 cables, see page 272.

Recommended cable type 7

### Part Number

See table

**AC - 20 - 3 L 1 - PP - KC**

#### L Locking Options

- 1 Reversible Key (No Keys - R001)
- 2 Reversible Key (2 Keys included - R001)
- 3 Reversible Key (Keyed differently - 2 keys included)
- 4 Standard Key (No keys - CH751)
- 5 Standard Key (2 Keys included - CH751)
- 6 Standard Key (Keyed differently - 2 keys included)
- 9 No Lock Plug installed (See notes for more information)

#### KC Key Codes

- (Omit for Locking Options 1, 2, 4, 5 and 9)
- \*KD10 Keyed Differently (Only used if L =3 or 6)
  - \*MK10 Master Keyed Differently (Only used if L =6)

\*Supplied in multiples of 10 with 10 different key codes.

- PP Paddle Finish**
- 30 Chrome, polished
  - 50 Black powder coated



# R3-22 Multi Point Actuator

## Pull-to-open Paddle

- Single or multi-point actuation capability
- Compatible with a wide range of rotary latches
- Environmentally sealed

### Material and Finish

Latch assembly: Zinc alloy, black or white powder coated or chrome plated.  
 Mounting bracket: Steel, zinc plated

### Installation Notes

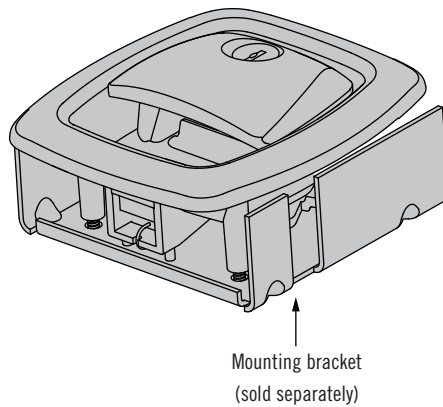
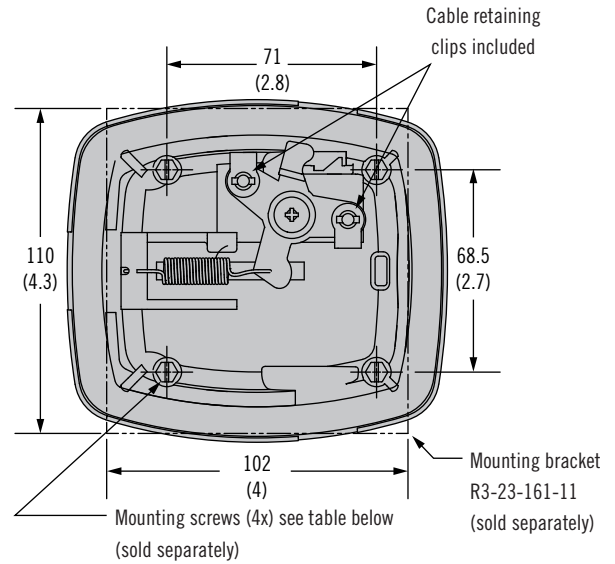
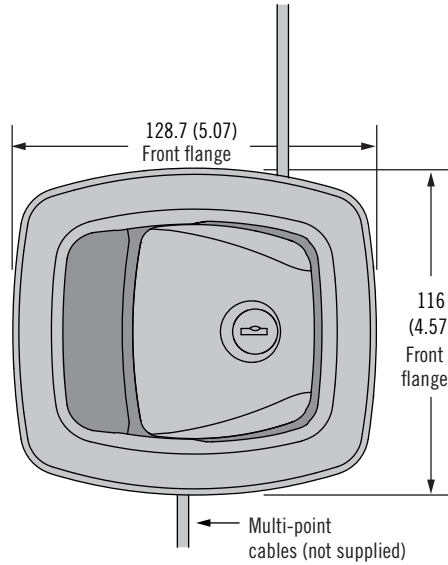
Maximum tightening torque on mounting screws: 2 N•m (14 in•lbf)

### Notes

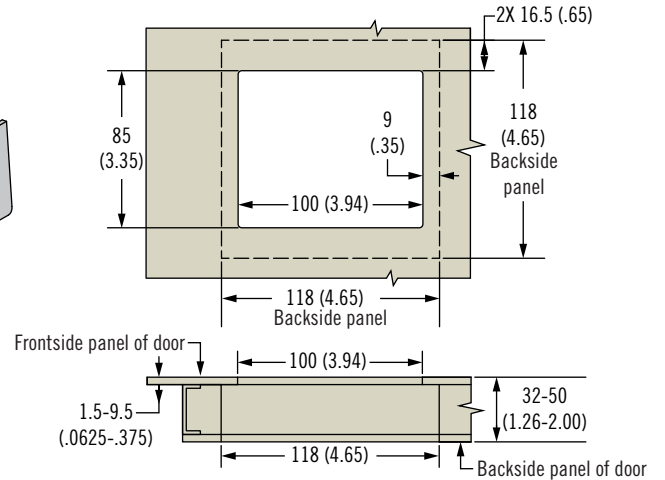
For lock core selection and a complete overview of the *SOUTHCO*® Key-Choice System see page 158  
 Can be configured with 1 or 2 cables. Recommended cable type 7. Cable mounting brackets sold separately. (See page 275).

### Part Number

Order latch, bracket and mounting screws separately  
 For latch see table  
 For mounting bracket, order part number R3-23-161-11  
 See table for mounting screws



### Panel Preparation



**R3 - 22 - 3 L 0 - F 0**

### L Locking Options

- 0 Non-locking
- 1 Reversible Key (No keys - R001)
- 2 Reversible Key (2 keys included - R001)
- 4 Standard Key (No keys - CH751)
- 5 Standard Key (2 Keys included - CH751)
- 9 No lock plug installed (see notes for more information)

### F Finish

- 1 Polished chrome
- 5 Black powder coated
- 7 White powder coated

### Screws for Mounting Bracket Part Number R3-23-161-11

Front Door Thickness	No. 8 Self Tapping Screw (order 4 per latch)
1.5 (.062) - 4.8 (.187)	R3-23-250-01
4.8 (.187) - 9.5 (.375)	R3-23-250-02

Other options available. For complete details on variety, part numbers, installation and specification, go to



Dimensions in millimeters (inch) unless otherwise stated



# AC-10 Actuator

Large handle • Flush mount

- Rear mount installation
- Flush mounting style
- Single, multi-point or direct pull actuation capability
- Multiple key code options
- Non-Locking option
- Electronic lock/unlock option

### Material and Finish

Housing, handle, rotating linkage: glass-filled nylon, black

Threaded stud and cable bracket retainers: steel, zinc nickel

Housing and handle gaskets: adhesive backed foam, black

### Installation Notes

Mounting nut (M6 x 1) not supplied. Installation torque of mounting nuts not to exceed 7 N•m (62 in-lbf)

### Notes

AC-10 can only use snub end coupling (Type 6 or 7 cable).

### Electronic Actuator Operating Information

Voltage: 12 V ±1.2 V

Current: 2.5 A - 3 A

Pulse Duration: 225 ms ±25 ms

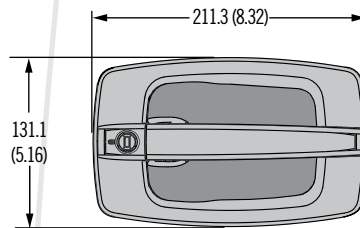
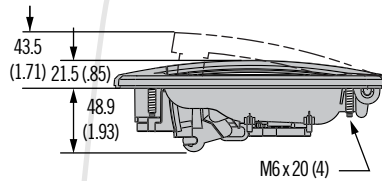
### Part Number Selection

#### Notes:

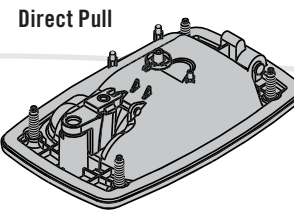
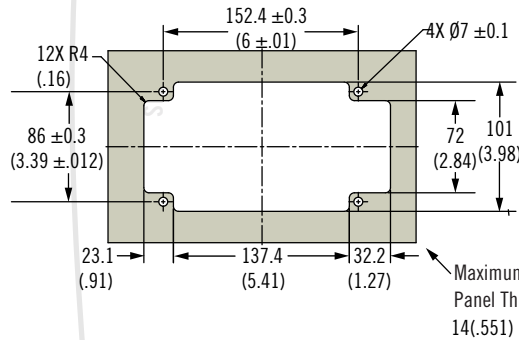
For use with Rods / Cables, recommended Snap-in Retainer for Rotator Plate: Southco Part Number R4-0-43922. See Trade Drawing J-R4-0-43922 for more details and options.

For lock core selection, detailed key information and a complete overview of the *SOUTHCO*® Key-Choice System see PK Lock Cores section.

For unique key code options, please contact customer service.



### Panel Preparation

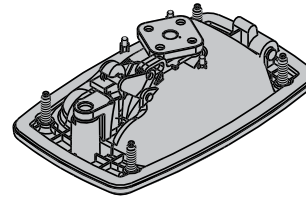


Direct Pull

- Recommended to use with Trigger Pull

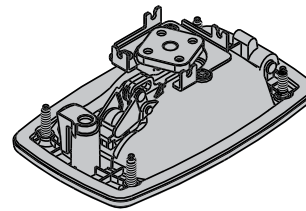
Part Number	
Trigger Pull	R4-0-51292

Multi-Point Without Cable Bracket



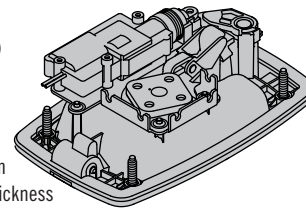
- Recommended to use with Rods

Multi-Point With Cable Bracket



- Recommended to use with Cables: see AC Cable drawing J-AC-C for cable selection.

Multi-Point With Cable Bracket and Lock/Unlock Electronic Actuator



- Recommended to use with Cables: see AC Cable drawing J-AC-C for cable selection.

- S Actuation Style**
- 1 Single Point, Direct Pull
  - 2 Multi-Point, without Cable Bracket
  - 3 Multi-Point, with Cable Bracket
- EM-3**
- Multi-Point, with Cable Bracket and Electronic Lock/Unlock

- L Locking Options**
- 0 Non-Locking
  - 1 Reversible key (No keys - R001)
  - 2 Reversible key (2 keys included - R001)
  - 3 Reversible key (keyed differently - 2 keys included)
  - 4 Standard key (No keys - CH751)
  - 5 Standard key (2 keys included - CH751)
  - 6 Standard key (keyed differently - 2 keys included)
  - 7 Reversible Key (2 keys included - 14603)
  - 9 No Lock Plug installed (See notes for more information)

- KC Key Codes**
- (Omit for Locking Options 0, 1, 2, 4, 5 and 9)
- \*KD10 Keyed Differently (Only used if **L** = 3 or 6)
  - \*MK10 Master Keyed Differently (Only used if **L** = 6)

\*Supplied in multiples of 10 with 10 different key codes.

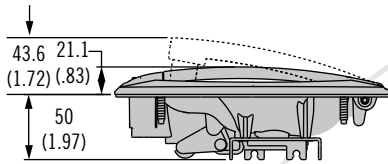
**AC - 10 - S L 1 - 11 - KC**

# AC-11 Actuator

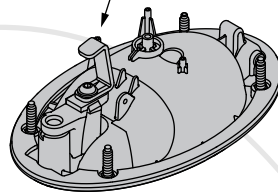
## Large Handle • Flush Mount



264A



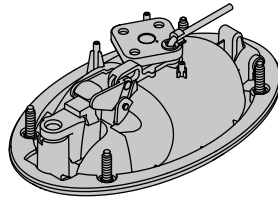
**Direct Pull** Trigger pull (order separately)



- Recommended to use with Trigger Pull

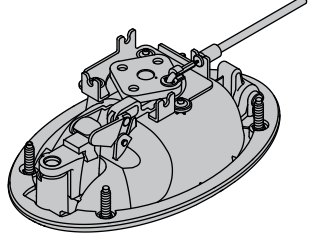
Part Number	
Trigger Pull	R4-0-51292

**Multi-Point Without Cable Bracket**



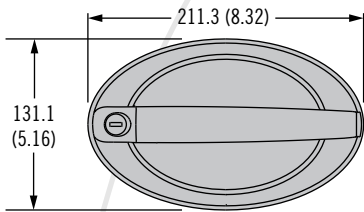
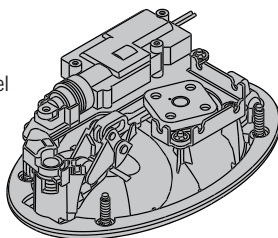
- Recommended to use with Rods

**Multi-Point With Cable Bracket**

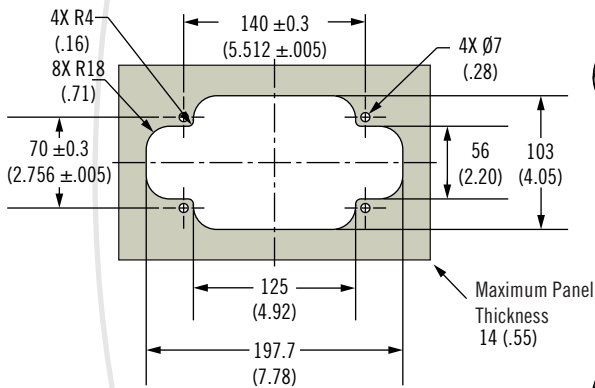


- Recommended to use with Cables: see AC Cable drawing J-AC-C for cable selection.

**Multi-Point With Cable Bracket and Lock/Unlock Electronic Actuator**



### Panel Preparation



### S Actuation Style

- 1 Single Point, Direct Pull
- 2 Multi-Point, without Cable Bracket
- 3 Multi-Point, with Cable Bracket
- EM-3 Multi-Point with Cable Bracket and Electronic Lock/Unlock

### L Locking Options

- 0 Non-Locking
- 1 Reversible key (No keys - R001)
- 2 Reversible key (2 keys included - R001)
- 3 Reversible key (keyed differently - 2 keys included)
- 4 Standard key (No keys - CH751)
- 5 Standard key (2 keys included - CH751)
- 6 Standard key (keyed differently - 2 keys included)
- 7 Reversible Key (2 keys included - 14603)
- 9 No Lock Plug installed (See notes for more information)

**AC - 11 - S L 1 - 11 - KC**

### KC Key Codes

- (Omit for Locking Options 0, 1, 2, 4, 5 and 9)
- \*KD10 Keyed Differently (Only used if L = 3 or 6)
- \*MK10 Master Keyed Differently (Only used if L = 6)

\*Supplied in multiples of 10 with 10 different key codes.

- Rear mount installation
- Flush mounting style
- Single, multi-point or direct pull actuation
- Multiple key code options
- Non-locking option
- Electronic lock/unlock option

### Material and Finish

Housing, handle, linkage: glass-filled nylon, black

Threaded stud and cable bracket retainers: steel, zinc nickel plated

Housing and handle gaskets: Adhesive backed foam, black

### Installation Notes

Mounting nut (M6 x 1) not supplied. Installation torque of mounting nuts not to exceed 7 N•m (62 in-lbf)

### Notes

AC-11 can only use snub end coupling (Type 6 or 7 cable).

### Electronic Actuator Operating Information

Voltage: 12V ± 1.2V

Current: 2.5A - 3A

Pulse Duration: 225ms ± 25ms

### Part Number Selection

#### Notes:

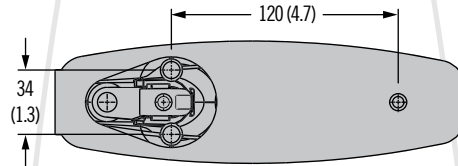
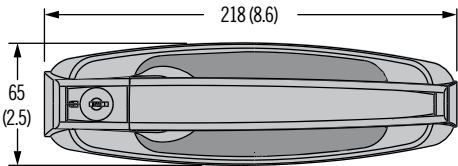
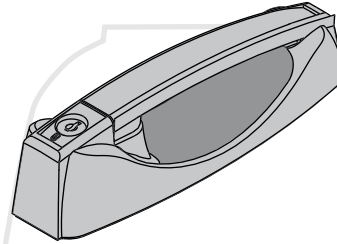
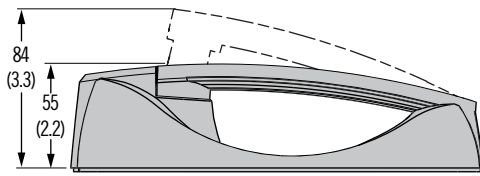
For use with Rods / Cables, recommended Snap-in Retainer for Rotator Plate: Southco Part Number R4-0-43922. See Trade Drawing J-R4-0-43922 for more details and options.

For lock core selection, detailed key information and a complete overview of the SOUTHCO® Key-Choice System see PK Lock Cores section.

For unique key code options, please contact customer service.

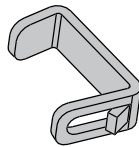
# AC-15 Actuator

## Large Handle • Surface Mount



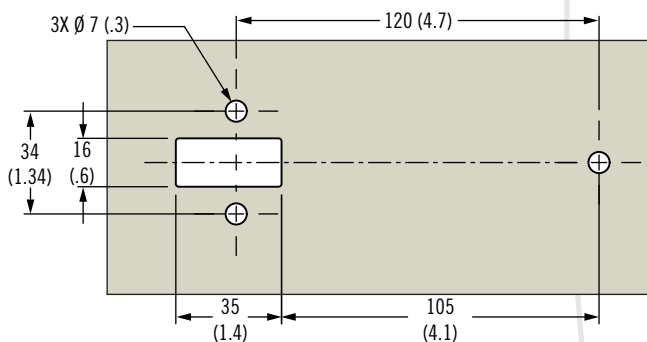
### Trigger Pull

Actuator is recommended to use with Trigger Pull

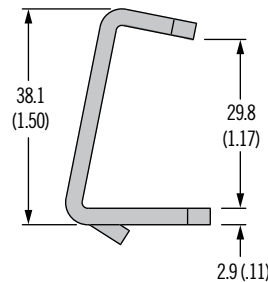


Part Number	
Trigger Pull	R4-0-51292

### Panel Preparation



ACTUAL SIZE



- Rear mount installation
- Surface mounting style
- Direct pull actuation
- Multiple key code options
- Non-locking option

### Material and Finish

Housing, handle, linkage:  
glass-filled reinforced nylon, black  
Threaded inserts: brass, natural  
Housing and handle gaskets:  
adhesive backed foam, black

### Installation Notes

Mounting hardware (M6 x 1) not supplied. Recommended screw length=panel thickness + 10.0 (.39)  
Installation torque of mounting nuts not to exceed 7 N•m (62 in-lbf)

### Part Number Selection

#### Notes:

For lock core selection, detailed key information and a complete overview of the *SOUTHCO*® Key-Choice System see PK Lock Cores section.

For unique key code options, please contact Southco.

**AC - 15 - 1 L 1 - 11 - KC**

#### L Locking Options

- 0 Non-Locking
- 1 Reversible key (No keys - R001)
- 2 Reversible key (2 keys included - R001)
- 3 Reversible key (keyed differently - 2 keys included)
- 4 Standard key (No keys - CH751)
- 5 Standard key (2 keys included - CH751)
- 6 Standard key (keyed differently - 2 keys included)
- 9 No Lock Plug installed (See notes for more information)

#### KC Key Codes

(Omit for Locking Options 0, 1, 2, 4, 5 and 9)  
\*KD10 Keyed Differently (Only used if L=3 or 6)  
\*MK10 Master Keyed Differently (Only used if L=6)  
  
\*Supplied in multiples of 10 with 10 different key codes.



# AC-30 Multi Point Actuator

## Push-Button

- Single or multi-point actuation capability
- Accommodates wide panel thickness
- Multiple key code options
- Single hole install

### Material and Finish

Button: Nylon

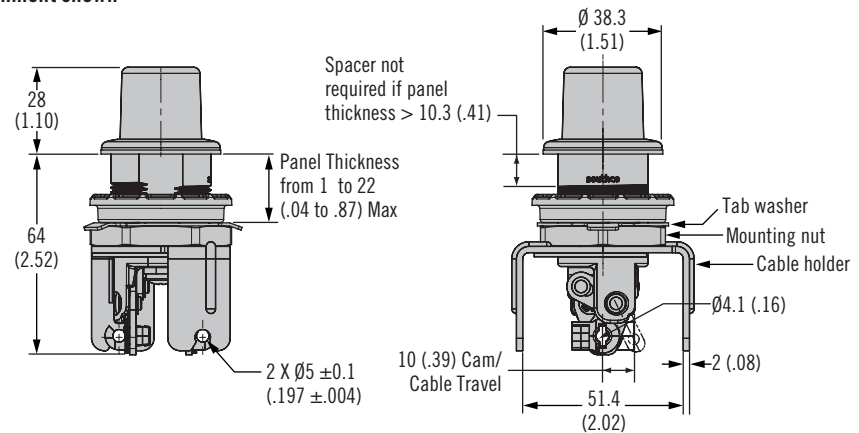
Housing: Zinc or Stainless steel

Lock Plug: Zinc

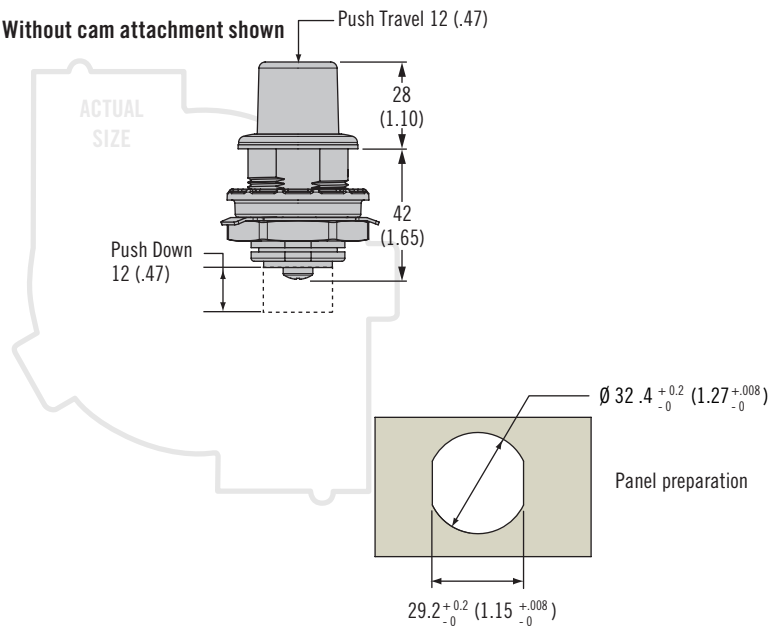
Cam, Washer, Rivet:

Stainless steel, passivated

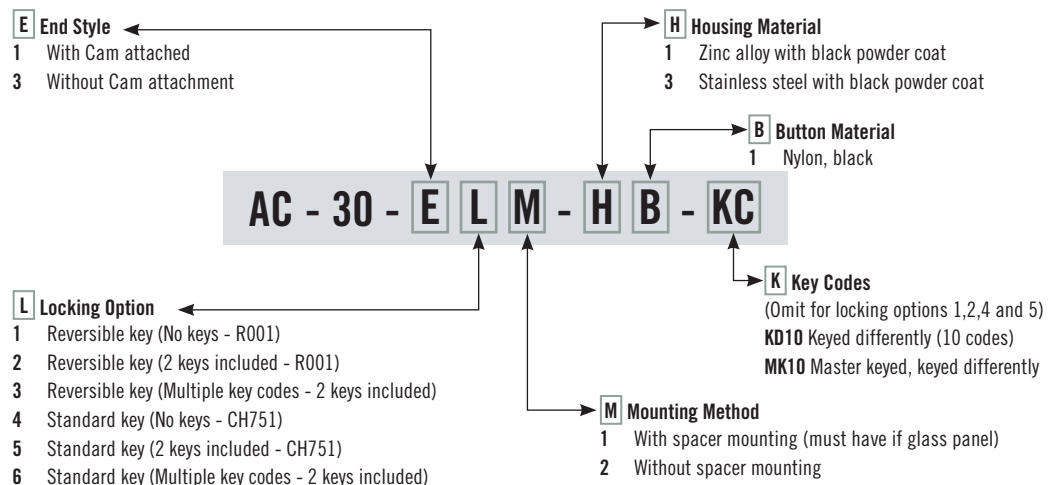
### With cam attachment shown



### Without cam attachment shown



### Part Number Selection



Other options available. For complete details on variety, part numbers, installation and specification, go to



[www.southco.com/AC](http://www.southco.com/AC)

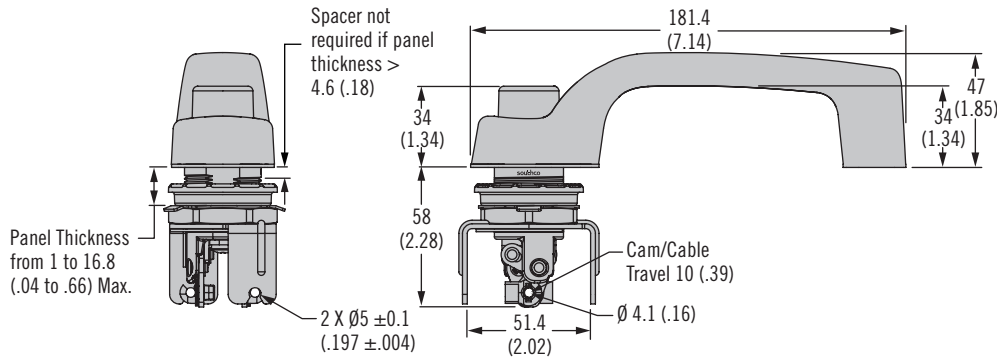
Dimensions in millimeters (inch) unless otherwise stated

**southco**  
CONNECT · CREATE · INNOVATE

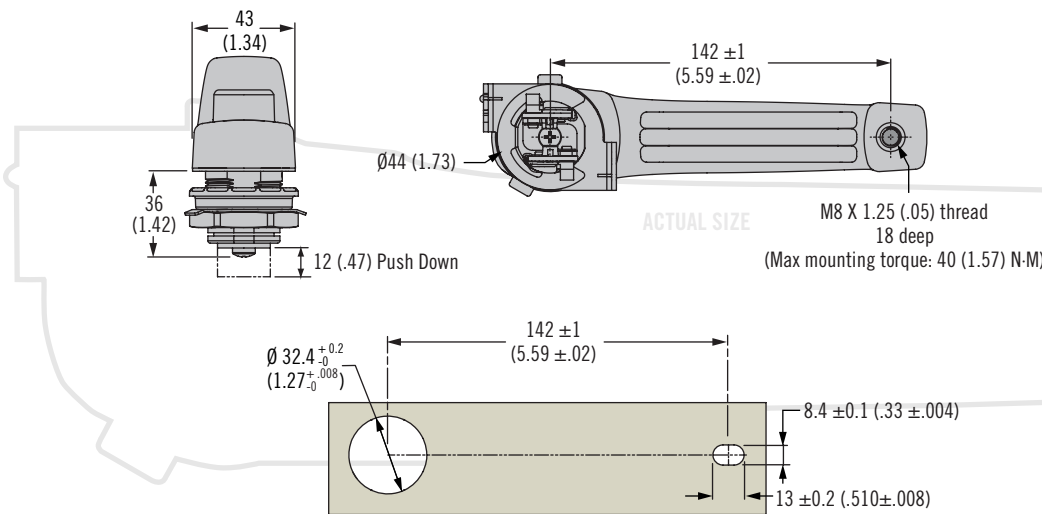
# AC-40 Multi Point Actuator Push-Button Handle



## With cam attachment shown



## Without cam attachment shown



- Single or multi-point actuation capability
- Accommodates wide panel thickness
- Multiple key code options
- Easy Grip

## Material and Finish

Button: Nylon  
 Housing: Zinc Alloy or Stainless steel  
 Lock plug: Zinc Alloy  
 Cam, Washer, Rivet: Stainless steel, passivated

## Part Number Selection

**E End Style**

- 1 With Cam attached
- 3 Without Cam attachment

**H Handle Material**

- 1 Black GF nylon with zinc housing insert
- 2 Black GF nylon with stainless steel housing insert

**B Button Material**

- 1 Nylon, black

**L Locking Option**

- 1 Reversible key (No keys - R001)
- 2 Reversible key (2 keys included - R001)
- 3 Reversible key (Multiple key codes - 2 keys included)
- 4 Standard key (No keys - CH751)
- 5 Standard key (2 keys included - CH751)
- 6 Standard key (Multiple key codes - 2 keys included)

**M Mounting Method**

- 1 Cable parallel (or no cable), with spacer mounting (must have if glass panel)
- 2 Cable parallel (or no cable), without spacer mounting
- 3 Cable cross with spacer mounting (must have if glass panel)
- 4 Cable cross without spacer mounting

**K Key Codes**  
 (Omit for locking options 1,2,4 and 5)  
**KD10** Keyed differently (10 codes)  
**MK10** Master keyed, keyed differently

**AC - 40 - E L M - H B - KC**

Other options available. For complete details on variety, part numbers, installation and specification, go to



[www.southco.com/AC](http://www.southco.com/AC)



## AC Single Point Actuator T-handle

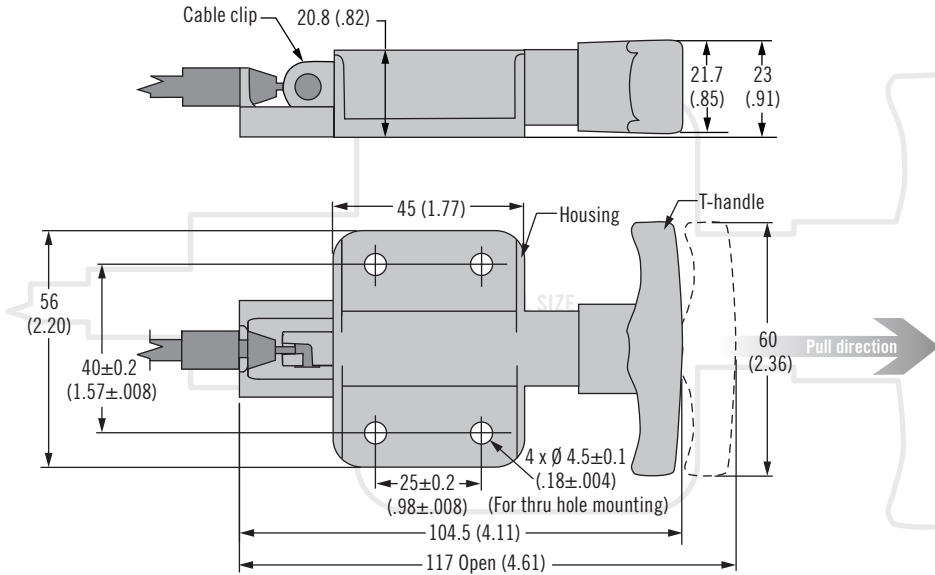
- Surface mount installation
- Generous grip area
- Pull to activate

### Material and Finish

Housing: PC/ABS, black  
 T-handle and slide: Glass-filled nylon, black  
 Clip: Acetal, black  
 Spring: Stainless steel, passivated

### Part Number

See table



Part Number
AC-60-101-11



[www.southco.com/AC](http://www.southco.com/AC)



## AC Single Point Actuator Plastic paddle and housing

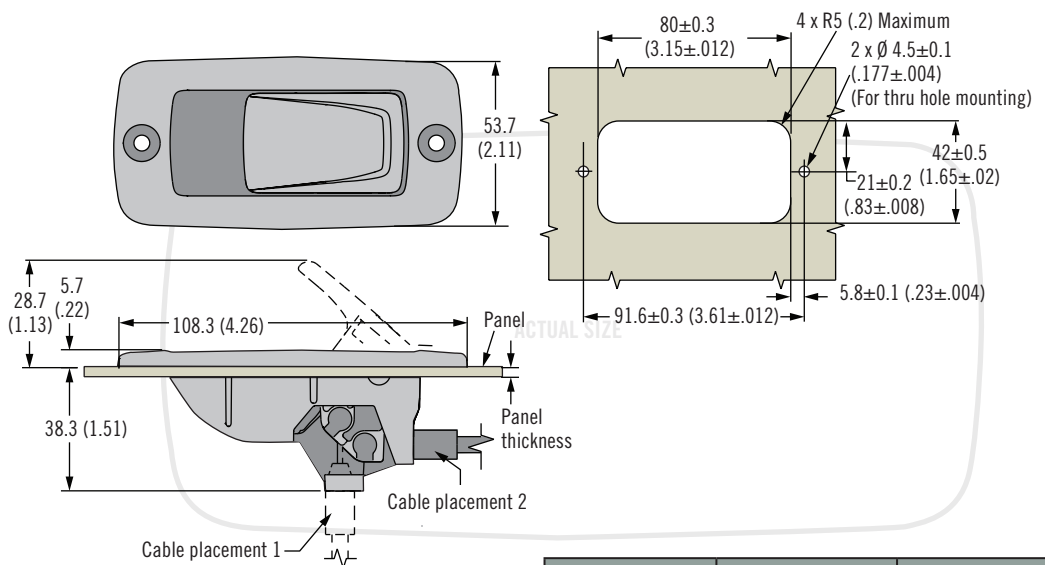
- Front mount installation
- Flush
- Two cable mounting options

### Material and Finish

Paddle and housing: Glass-filled nylon, black  
 Spring: Stainless steel, passivated

### Part Number

See table



Part Number
AC-70-101-11

Cable Orientation	Panel Thickness	Cable Travel
Placement 1	12.5 (.49) maximum	11.1 (.44)
Placement 2	16 (.63) maximum	13.2 (.52)

Other options available. For complete details on variety, part numbers, installation and specification, go to

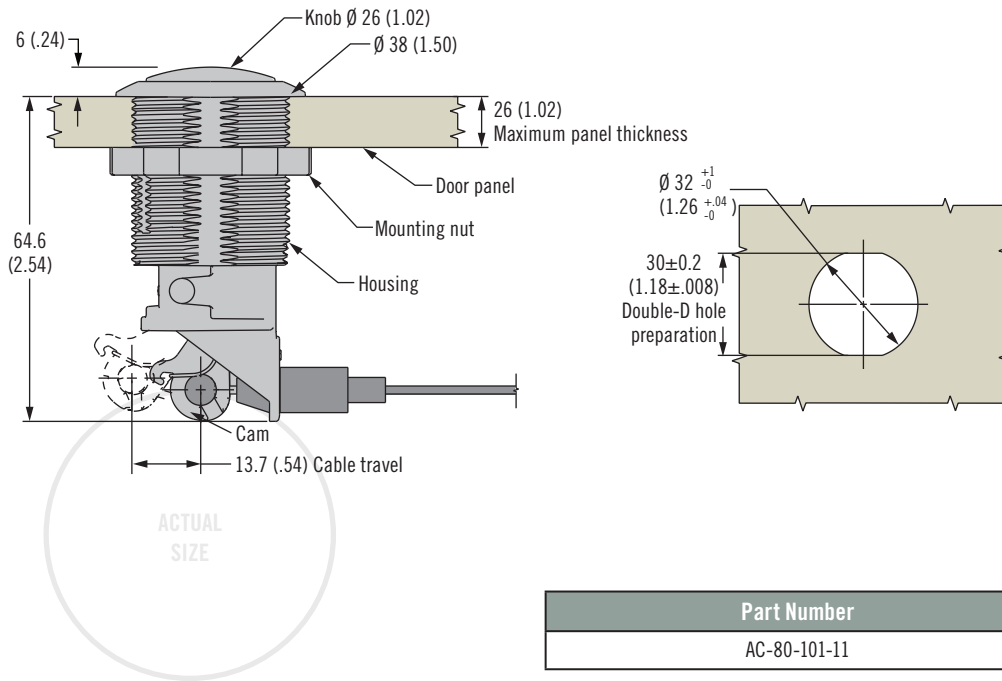


[www.southco.com/AC](http://www.southco.com/AC)

Dimensions in millimeters (inch) unless otherwise stated



# AC Single Point Actuator Push-button



- Flush
- Mounting hardware included

### Material and Finish

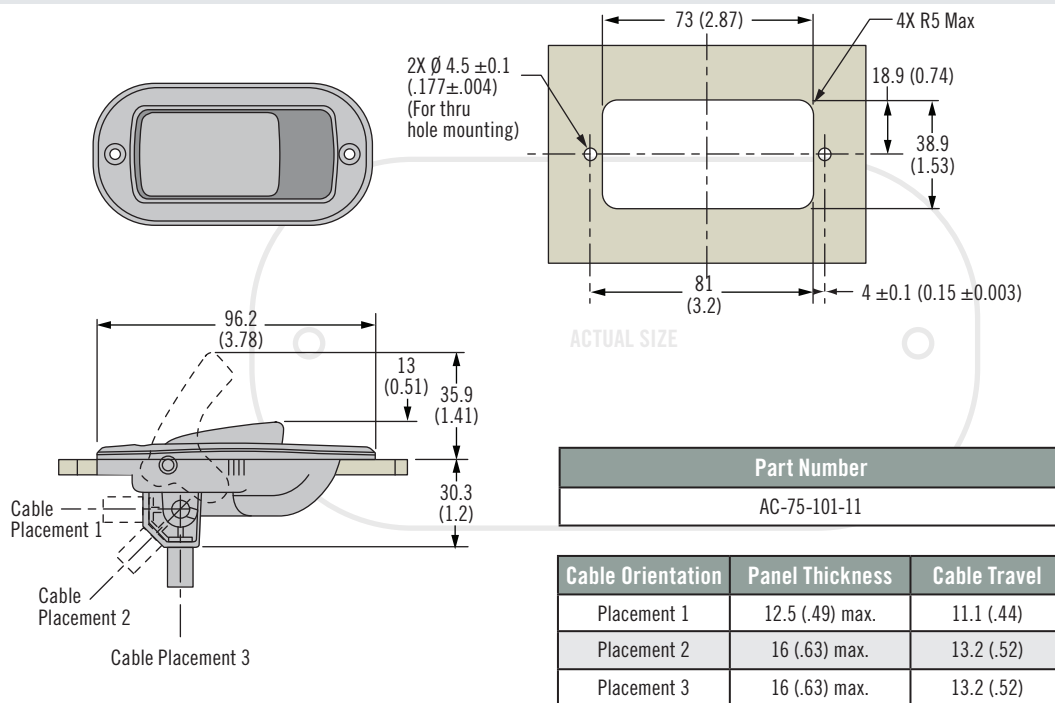
Push button and housing:  
PC/ABS, black  
Cam: Glass-filled nylon, black  
Spring: Stainless steel, passivated

### Part Number

See table

[www.southco.com/AC](http://www.southco.com/AC)

# AC Single Point Actuator Aluminum paddle and housing



- Front mount installation
- Three cable mounting options
- Low profile
- Robust material

### Material and Finish

Paddle and housing:  
Aluminum, black powder coated

### Notes

AC-75 can only use snub end coupling (Type 6 or 7 cable).

### Part Number

See table

Other options available. For complete details on variety, part numbers, installation and specification, go to



[www.southco.com/R4](http://www.southco.com/R4)



# AC-50 Single Point Actuator

## Squeeze handle

- Single actuation capability
- Accommodates tubular construction or rounded mounting surfaces

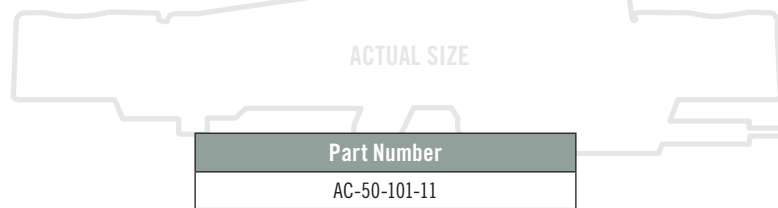
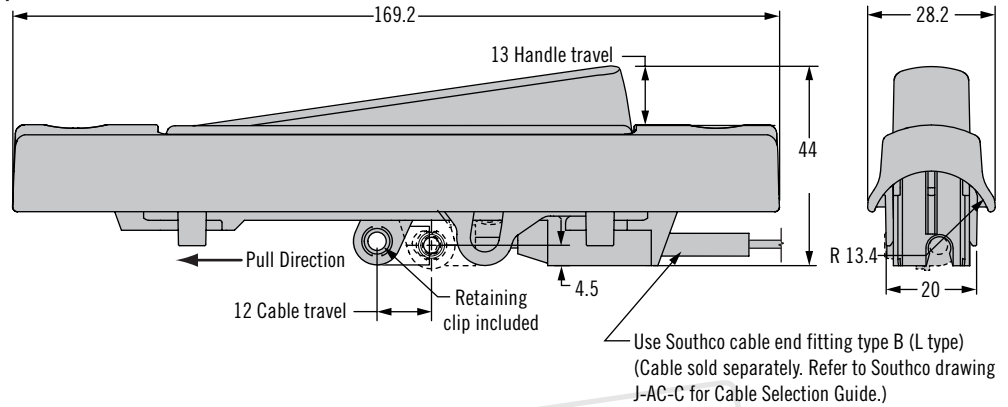
### Material and Finish

Housing, handle: Glass-filled nylon, black

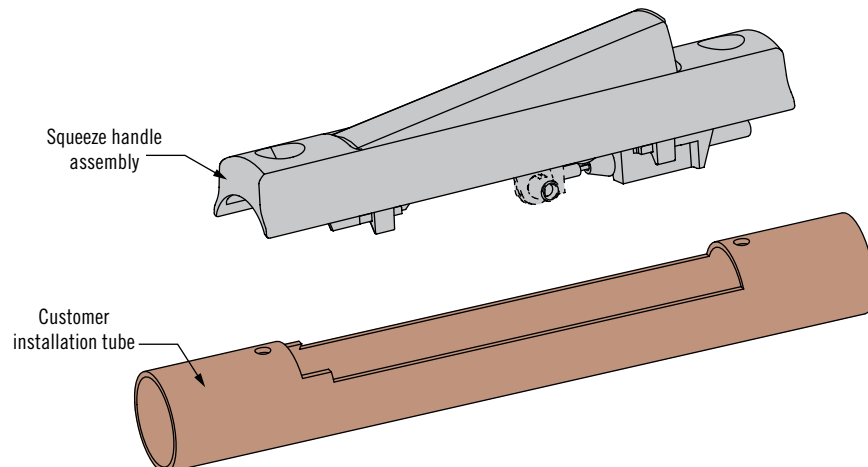
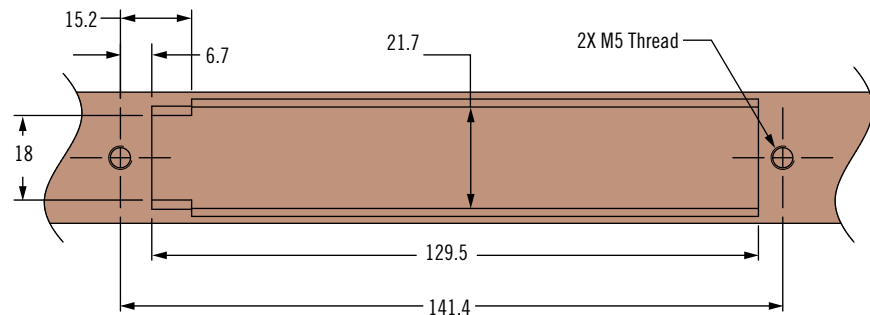
### Installation Notes

Installation torque of screws not to exceed 2 N•m maximum (Countersunk screws or rivets recommended)

### Squeeze Handle



### Panel Preparation



Other options available. For complete details on variety, part numbers, installation and specification, go to



[www.southco.com/AC](http://www.southco.com/AC)

Dimensions in millimeters (inch) unless otherwise stated

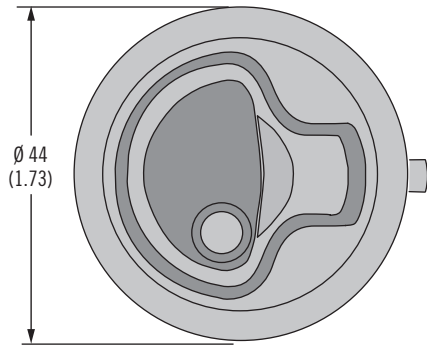
**southco**  
CONNECT · CREATE · INNOVATE

# AC Single Point Actuators

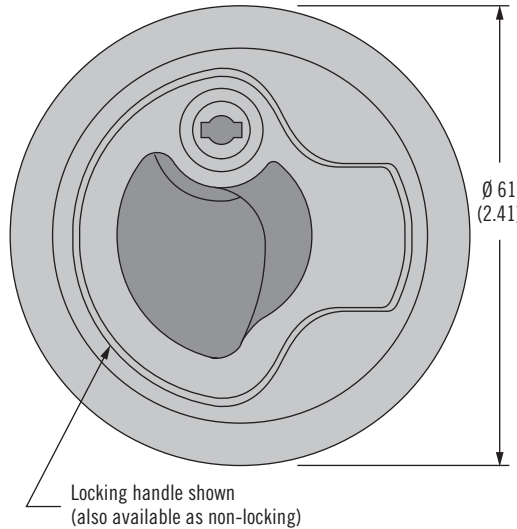
## Stainless Steel · M1 Style Actuator



**38mm (1.5")**  
Shown actual size



**50mm (2")**  
Shown actual size



- Single, round-hole installation
- Locking style restricts access
- Premium finish and corrosion resistance

### Material and Finish

Latch: 316 grade stainless steel, bright polished  
 Spacer: Nylon, black  
 Contact Southco for other finishes

### Performance Details

Max. static load: 545 N (122 lbf)

### Accessories - 38mm (1.5")

Spacer: M1-510-96-1  
 Mounting screws: M1-510-96-4  
 One key supplied per latch for additional keys order  
 M7-88-9121324-S



### Accessories - 50mm (2")

For lock style 4  
 Key (pair)  
 Part number: M1-546

For lock style 7  
 Overmolded key S008 (pair)  
 Part number:  
 M1-525-39-S008

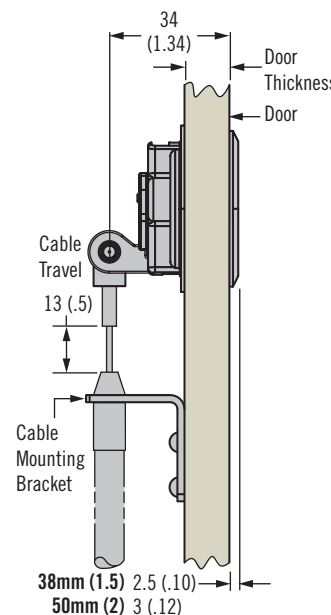


**38mm (1.5)**  $\varnothing 38.1 \pm 0.5$  (1.50 ± .02)  
**50mm (2)**  $\varnothing 50 \pm 0.12$  (2.00 ± .015)

Mounting Bracket  
 Phillips Recess Pan Head Mounting Screws (included)  
 Cable mounting bracket (Sold separately)  
 See page 275 (1/8" Mounting screws not included)

Actuator Assembly (38mm (1.5) shown)  
 Retainer Clip (Sold separately) R4-0-43922-2

Size	Actuator Assembly	Part Number	Door Thickness	Cable Mounting Bracket
38mm (1.5)	Locking (2 keys supplied)	AC-M1-15-41-8	9 mm	R4-0-50253-1
			12 mm	R4-0-50253-2
	Non-Locking	AC-M1-15-61-8	9 mm	R4-0-50253-1
			12 mm	R4-0-50253-2
50mm (2)	Locking (2 keys supplied)	AC-M1-42-8	9 mm	R4-0-50253-1
			AC-M1-43-8	12 mm
	Non-Locking	AC-M1-62-8		9 mm
			AC-M1-63-8	12 mm
	Key-Locking keyed alike S008	AC-M1-72-8		9 mm
			AC-M1-73-8	12 mm



### Cables

Constructed from marine grade stainless materials, the cable is suitable for multiple bends and can be further customized upon request.





# 64 Push-to-Close Actuator

Pull-to-open · Paddle handle actuator · Multi-point · Large

- Flush mounting installation
- Multiple mounting styles
- Locking and Non-Locking options

### Material and Finish

Stainless steel, polished, steel, zinc plated or black powder coated

### Accessories

Flat key, keyed alike CH751  
(2 keys per ring)  
Part number: PK-10-01

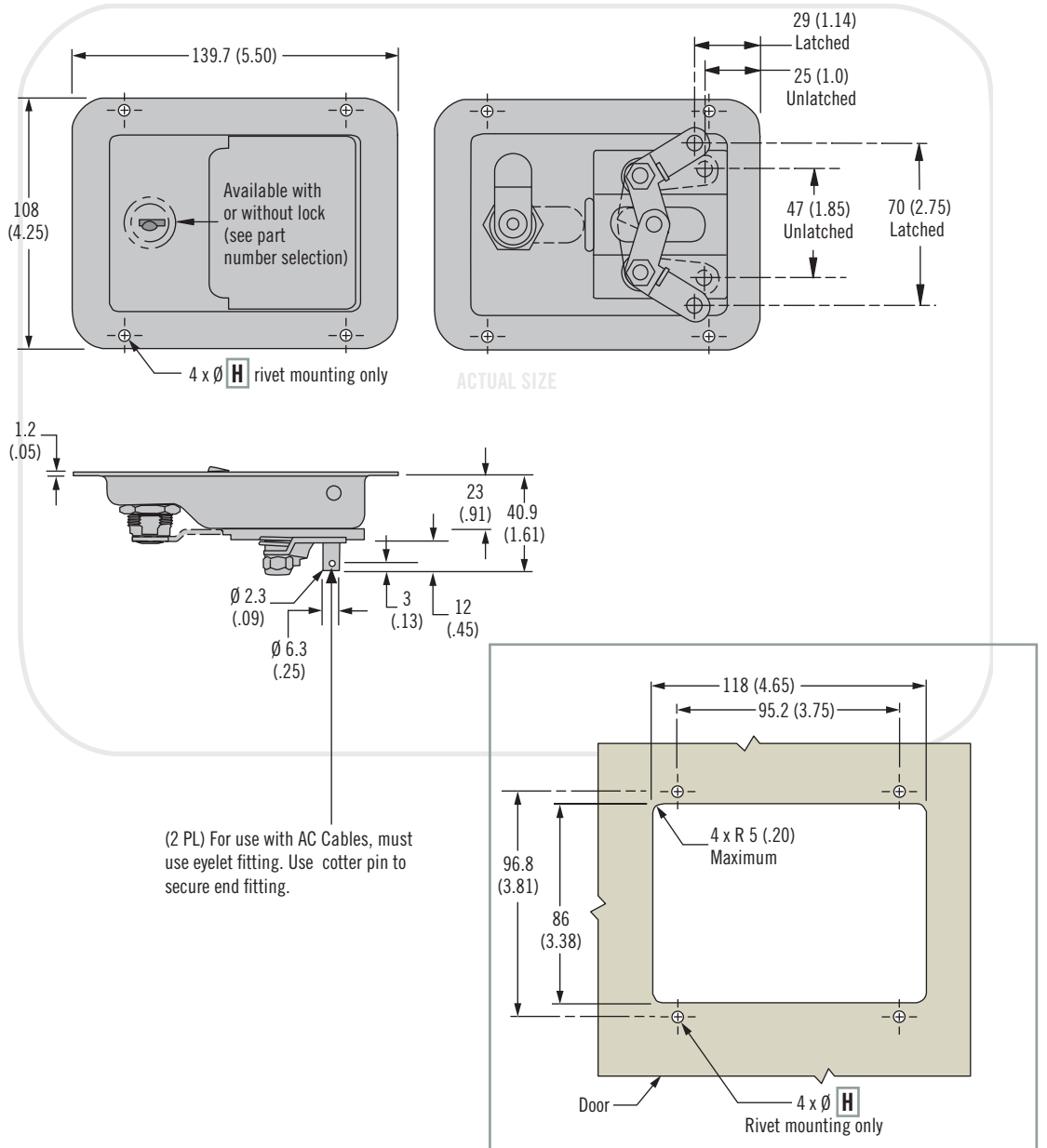


Overmolded key, keyed alike CH751  
(2 keys per ring)  
Part number: PK-10-01-05



### Notes

AC Cable end fitting must be eyelet for this actuator (Page 272)



### Part Number Selection

- |                                |   |                               |
|--------------------------------|---|-------------------------------|
| <b>H</b> Housing               | ← | <b>M</b> Material             |
| 0 Weld                         |   | 10 Steel, zinc plated         |
| 1 Rivet through hole 4.9 (.19) |   | 20 Stainless steel, polished  |
| 2 Rivet through hole 5.2 (.20) |   | 50 Steel, black powder coated |

**64 - 40 - 4 L H - M**

- |  |   |
|--|---|
| <b>L</b> Lock style                                    | ← |
| 0 Non-locking  |   |
| 1 Key-locking keyed alike CH751 (2 Flat keys supplied) |   |

Other options available. For complete details on variety, part numbers, installation and specification, go to

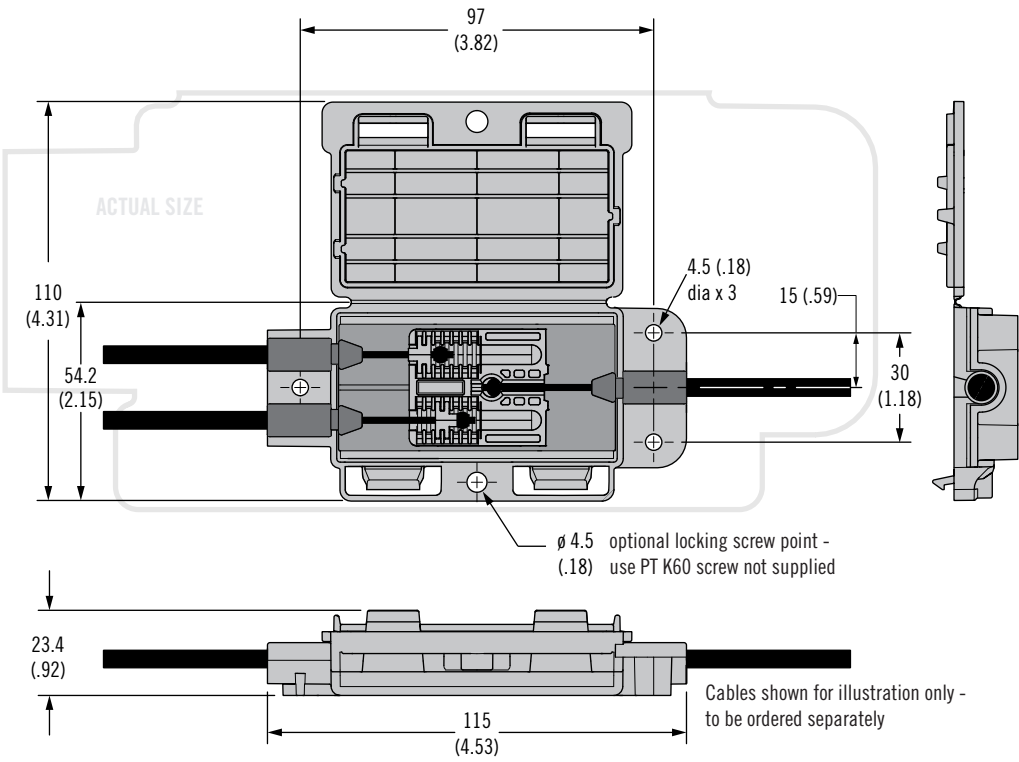
**INFO CLIC** [www.southco.com/64](http://www.southco.com/64)

Dimensions in millimeters (inch) unless otherwise stated

- Allows one actuation point for two rotary latches or two actuation points for one rotary latch
- Adjustable to fine tune timing of actuation points
- Cable splitter and cables sold separately

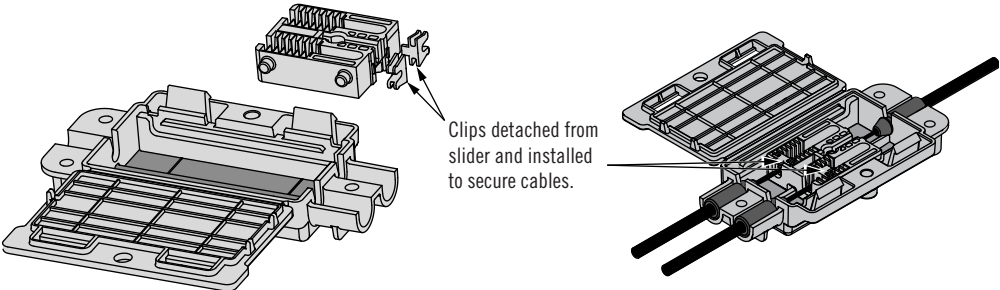
**Material and Finish**

Housing: Black Polypropylene  
 Slider: Black Glass-filled nylon  
 See page 272 and 273 for cable end fitting and cable type



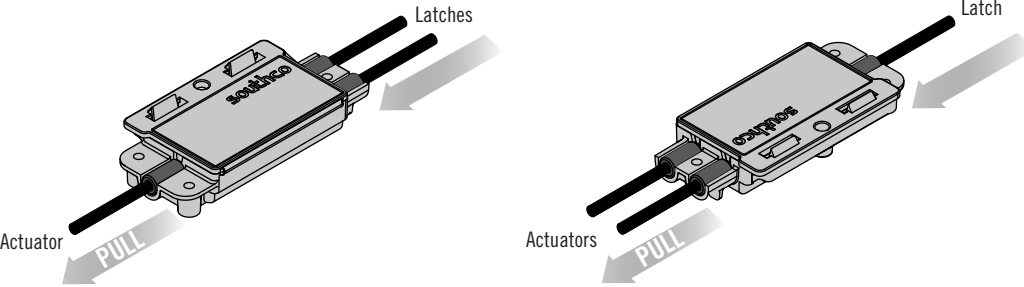
**Packaged Delivery Condition**

**After customer assembly**



**One actuation point for two rotary latches**

**Two actuation points for one rotary latch**



Part Number
AC-05-301-11

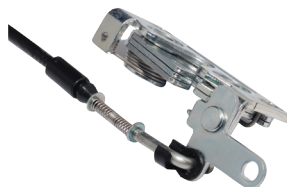
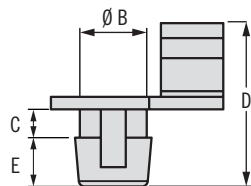
Other options available. For complete details on variety, part numbers, installation and specification, go to



[www.southco.com/AC](http://www.southco.com/AC)



### Retainer Clip



- For use with  $\varnothing 4$  (.157) rod or Southco cable assembly

#### Material and Finish

Clip: Acetal

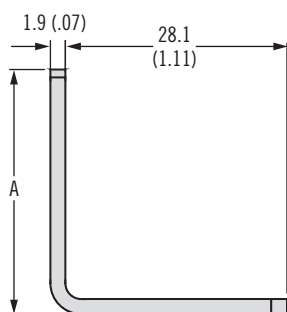
Bracket: Steel

#### Part Number

See table

Latch Series	Trigger / Lever Type	Part Number	Color	B	C	D	E	Trigger / Lever Hole Diameter	Trigger / Lever Thickness
R4-05	Bottom	R4-0-60784	Beige	5.9 (.23)	3.5 (.13)	16.4 (.65)	2.8 (.11)	6.4 (.25)	3 (.12)
R4-10	Perpendicular In-line Two Point	R4-0-43922	Black	5.9 (.23)	2.5 (.10)	14.4 (.57)	4.3 (.17)	6.3 (.25)	2 (.08)
		R4-0-43922-3	Red	5.9 (.23)	2.5 (.10)	14.4 (.57)	4.3 (.17)	6.3 (.25)	2 (.08)
	Bottom / Top	R4-0-43922-2	Black	5.9 (.23)	4.5 (.18)	16.4 (.65)	4.3 (.17)	6.3 (.25)	4 (.16)
	Dual Trigger	R4-0-43922	Black	5.9 (.23)	2.5 (.10)	14.4 (.57)	4.3 (.17)	6.3 (.25)	2 (.08)
		R4-0-43922-3	Red	5.9 (.23)	2.5 (.10)	14.4 (.57)	4.3 (.17)	6.3 (.25)	2 (.08)
		R4-0-43922-2	Black	5.9 (.23)	4.5 (.18)	16.4 (.65)	4.3 (.17)	6.3 (.25)	4 (.16)
R4-30	Perpendicular Two Point	R4-0-43922	Black	5.9 (.23)	2.5 (.10)	14.4 (.57)	4.3 (.17)	6.3 (.25)	2 (.08)
		R4-0-43922-3	Red	5.9 (.23)	2.5 (.10)	14.4 (.57)	4.3 (.17)	6.3 (.25)	2 (.08)
	Bottom	R4-0-43922-2	Black	5.9 (.23)	4.5 (.18)	16.4 (.65)	4.3 (.17)	6.3 (.25)	4 (.16)
R4-20	Bottom	R4-0-43922-1	White	6.3 (.25)	4.5 (.18)	16.4 (.65)	4.3 (.17)	6.7 (.26)	4 (.16)
R4-50	Perpendicular			6.3 (.25)	4.5 (.18)	16.4 (.65)	4.3 (.17)	6.7 (.26)	4 (.16)

### Cable Mounting Bracket



Part Number	A
R4-0-50253-1	31 (1.22)
R4-0-50253-2	28 (1.10)
R4-0-50253-3	19 (.75)

