

SOFT-DOWN STAY



SDS-200, SDS-201, SDS-210

LID SUPPORTS

SOFT-DOWN STAY



Features

- For top-opening flap doors.
- Built-in damper causes flap to close gently preventing slamming.
- Non-handed.
- Built-in catch holds flap in fully open position.
- 3 types available:
  - SDS-200: Opens 70°, works with single axis hinges.
  - SDS-201: Opens 70°, works with multi axes hinges.
  - SDS-210: Opens 105°, can be used with either single or multi axes hinges.

Torque

- With 1 stay  
Torque = 3.43 - 4.9 N-m (35 - 50 kgf-cm)
- With 2 stays, the torque will be doubled.

Parts Included

- Mounting plate
- Countersunk head tapping screw 3.5x14

Sold Separately

Face plate for glass doors SDS-50G (P.522)

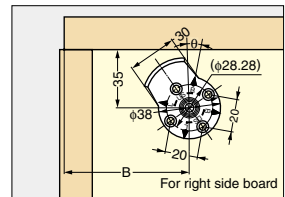


Mounting plate SDS-A for SDS-210    Mounting plate SDS-B for SDS-200 and SDS-201

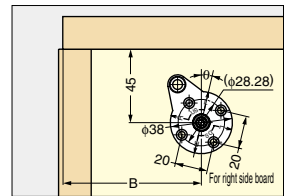


Mounting Plate

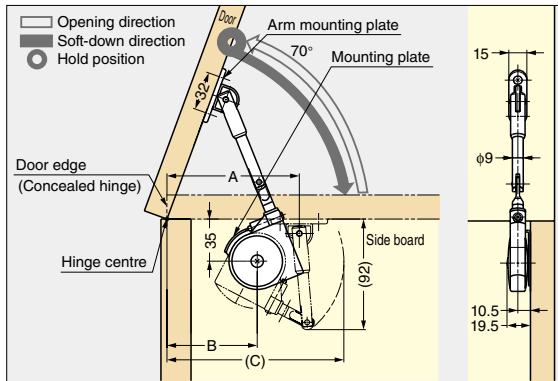
SDS-200, SDS-201



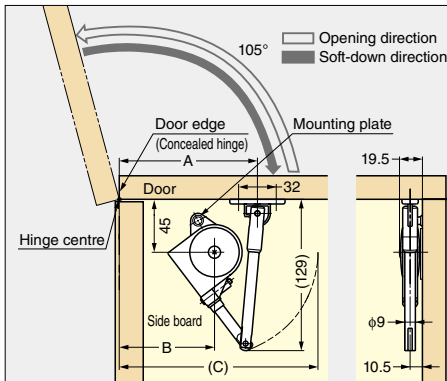
SDS-210



Installation SDS-200 and SDS-201 (Opening Angle 70°)



Installation SDS-210 (Opening Angle 105°)



Note: For opening angle of 80°, 90° and 100°, please use SDS-C301N.

For installation details, please contact your local dealer.

Full Overlay

Item Name	A	B	C	θ
SDS-200	110	75	147	( 0° )
SDS-201	109	74	146	( 0° )
SDS-210	117.5	81	169	( 5° )
	123.5	87	175	(12°)

Inset

Item Name	A	B	C	θ
SDS-200	98.5	63.5	135	(10°)
SDS-201	114	79	151	( 0° )
SDS-210	108.3	70	157.3	(15°)

Incase door thickness 20 mm.

Material	Finish/Colour
ABS/Steel	Nickel/White (W)
	Grey (G)
	Umber (U)

Body

Item Code	Item Name	Opening Angle	Hinge	Torque Moment/piece	Weight	Box	Carton
180-100-268	SDS-200-W	70°	Butt Hinge	3.43 - 4.9 N-m (35 - 50 kgf-cm)	153 g	20 pcs	100 pcs
180-100-269	SDS-200-G				153 g	20 pcs	100 pcs
180-100-270	SDS-200-U				153 g	20 pcs	100 pcs
180-100-271	SDS-201-W		Concealed Hinge		153 g	20 pcs	100 pcs
180-100-272	SDS-201-G				153 g	20 pcs	100 pcs
180-100-273	SDS-201-U				153 g	20 pcs	100 pcs
180-100-274	SDS-210-W	105°	Butt Hinge/ Concealed Hinge	159 g	20 pcs	100 pcs	
180-100-275	SDS-210-G			159 g	20 pcs	100 pcs	
180-100-276	SDS-210-U			159 g	20 pcs	100 pcs	

SDS Face Plate (Sold Separately)

Item Code	Item Name	Material	Finish/Colour	Weight	Box	Carton
180-100-260	SDS-50G-CR	Zinc Alloy (ZDC)/ABS	Chrome/Black	25 g	50 pcs	200 pcs
180-928-046	SDS-50G-BL	Zinc Alloy (ZDC)/ABS	Black/Black	25 g	50 pcs	200 pcs

