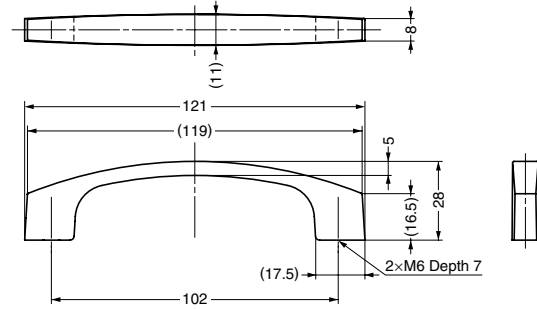


DIE CAST HANDLE

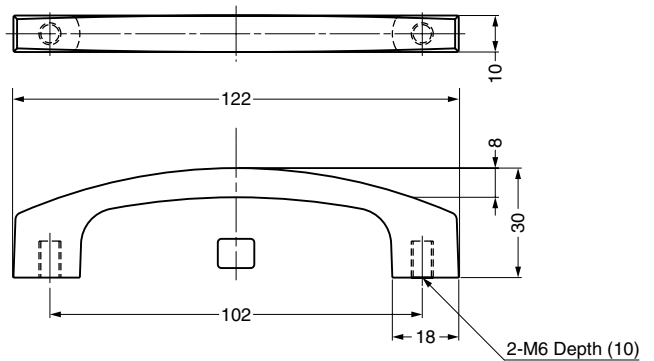
SAZ-121CR



Item Code	Item Name	Material	Finish	Weight	Box	Carton
100-010-105	SAZ-121CR	Zinc Alloy (ZDC)	Chrome	67 g	50 pcs	200 pcs

HANDLE

SAZ-122



Item Code	Item Name	Material	Finish	Weight	Box	Carton
100-019-790	SAZ-122	Zinc Alloy (ZDC)	Chrome	85 g	40 pcs	400 pcs