

# Flat suction cup (round)

<https://www.schmalz.com/10.01.01.00075>



## PFG 35 FPM-65 N007

Part no.: 10.01.01.00075

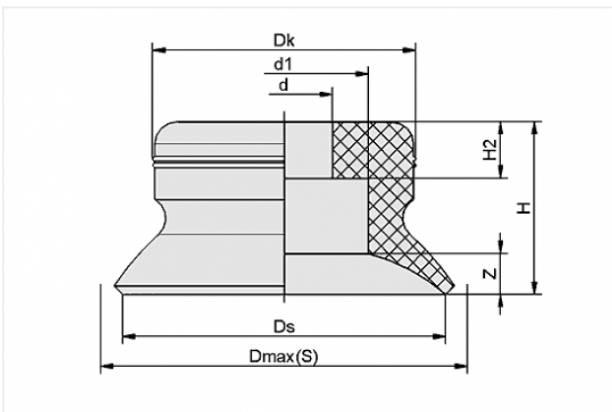
Homepage > Vacuum Technology for Automation > Vacuum Components > Vacuum Suction Cups > Flat Suction Cups (Round) > PFG 35 FPM-65 N007

### Flat suction cup (round) for smooth or slightly rough surfaces



Size: 35  
Suction cup material:  
Fluorocautchuc FPM  
Material hardness: 65 °Sh  
Material property: imprint-free

### Design Data



Attribute	Value
-----------	-------

d	6 mm
d1	11 mm
Dk	20.5 mm
Dmax(S)	38 mm
Ds	35 mm
H	14 mm
H2	7 mm
Z	3 mm

### Technical Data

#### Contact to Schmalz

J. Schmalz GmbH | Johannes-Schmalz-Straße, 72293 Glatten, Deutschland | +49 7443 2403-102 | [customercenter@schmalz.de](mailto:customercenter@schmalz.de)

Attribute	Value
Suction force	44 N
Volume	2.805 cm <sup>3</sup>
Curve radius (min) (convex)	50 mm
Size	35
Nipple	N 007
Number of folds	0
Suction cup material	Fluorocaoutchuc FPM
Material hardness	65 °Sh
Weight	5.8 g
Product family	PFG

## Accessories



### SU 30

Part no. 10.01.01.12889

Cover for suction cup

Size: 30

Clamping range: 27.0 ... 35.0 mm

Temperature resistance: 80 °C



**SA-NIP N007 G1/8-AG DN240**

Part no. 10.01.01.03531

Suction cup connection nipple

Nipple: N 007

Thread G1: G1/8-M

Overall length: 21.5 mm

Fitting length: 5 mm

Nominal size: 2,40 mm

Material: Aluminium

Spanner size SW2: 4 mm



**SA-NIP N007 G1/8-IG DN350**

Part no. 10.01.01.03523

Suction cup connection nipple

Nipple: N 007

Thread G1: G1/8-F

Overall length: 24.5 mm

Fitting length: 16 mm

Nominal size: 3,50 mm

Material: Aluminium

Spanner size SW2: 4 mm