

# Flat suction cup (round)

<https://www.schmalz.com/10.01.01.10339>



PFG 30 NBR-AS-55 N007

Part no.: 10.01.01.10339

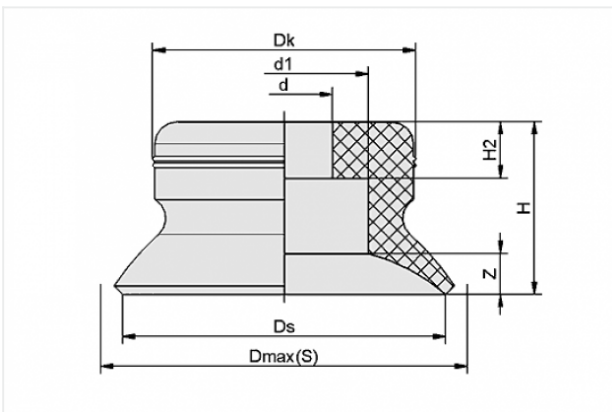
Homepage > Vacuum Technology for Automation > Vacuum Components > Vacuum Suction Cups > Flat Suction Cups (Round) > PFG 30 NBR-AS-55 N007

## Flat suction cup (round) for smooth or slightly rough surfaces



Size: 30  
Suction cup material:  
Nitrile rubber NBR-antistat  
Material hardness: 55 °Sh

### Design Data



Attribute	Value
-----------	-------

d	6 mm
---	------

d1	11 mm
----	-------

Dk	15.1 mm
----	---------

Dmax(S)	31.5 mm
---------	---------

Ds	28.8 mm
----	---------

H	12 mm
---	-------

H2	7 mm
----	------

Z	2 mm
---	------

### Technical Data

#### Contact to Schmalz

J. Schmalz GmbH | Johannes-Schmalz-Straße, 72293 Glatten, Deutschland | +49 7443 2403-102 | [customercenter@schmalz.de](mailto:customercenter@schmalz.de)

Attribute	Value
Suction force	34 N
Volume	1.556 cm <sup>3</sup>
Curve radius (min) (convex)	40 mm
Size	30
Nipple	N 007
Number of folds	0
Suction cup material	Nitrile rubber NBR-antistat
Material hardness	55 °Sh
Weight	3.4 g
Product family	PFG

## Accessories



### SU 30

Part no. 10.01.01.12889

Cover for suction cup

Size: 30

Clamping range: 27.0 ... 35.0 mm

Temperature resistance: 80 °C



**SA-NIP N007 G1/8-AG DN240**

Part no. 10.01.01.03531

Suction cup connection nipple

Nipple: N 007

Thread G1: G1/8-M

Overall length: 21.5 mm

Fitting length: 5 mm

Nominal size: 2,40 mm

Material: Aluminium

Spanner size SW2: 4 mm



**SA-NIP N007 G1/8-IG DN350**

Part no. 10.01.01.03523

Suction cup connection nipple

Nipple: N 007

Thread G1: G1/8-F

Overall length: 24.5 mm

Fitting length: 16 mm

Nominal size: 3,50 mm

Material: Aluminium

Spanner size SW2: 4 mm