

Flat suction cup (round)

<https://www.schmalz.com/10.01.01.00014>



PFG 30 NBR-55 N007

Part no.: 10.01.01.00014

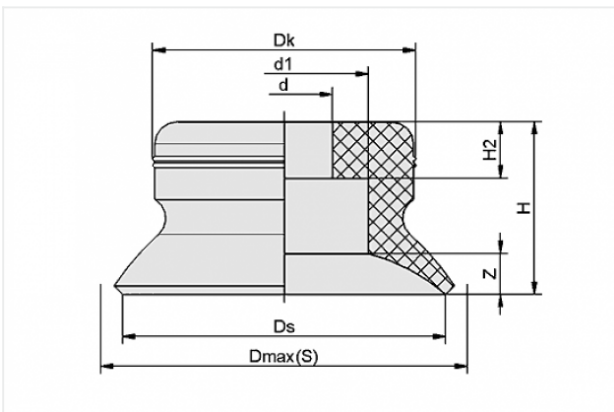
Homepage > Vacuum Technology for Automation > Vacuum Components > Vacuum Suction Cups > Flat Suction Cups (Round) > PFG 30 NBR-55 N007

Flat suction cup (round) for smooth or slightly rough surfaces



Size: 30
Suction cup material:
Nitrile rubber NBR
Material hardness: 55 °Sh

Design Data



| Attribute | Value |
|-----------|-------|
|-----------|-------|

| | |
|---|------|
| d | 6 mm |
|---|------|

| | |
|----|-------|
| d1 | 11 mm |
|----|-------|

| | |
|----|---------|
| Dk | 15.1 mm |
|----|---------|

| | |
|---------|---------|
| Dmax(S) | 31.5 mm |
|---------|---------|

| | |
|----|---------|
| Ds | 28.8 mm |
|----|---------|

| | |
|---|-------|
| H | 12 mm |
|---|-------|

| | |
|----|------|
| H2 | 7 mm |
|----|------|

| | |
|---|------|
| Z | 2 mm |
|---|------|

Technical Data

Contact to Schmalz

J. Schmalz GmbH | Johannes-Schmalz-Straße, 72293 Glatten, Deutschland | +49 7443 2403-102 | customercenter@schmalz.de

| Attribute | Value |
|-----------------------------|-----------------------|
| Suction force | 34 N |
| Volume | 1.556 cm ³ |
| Curve radius (min) (convex) | 40 mm |
| Size | 30 |
| Nipple | N 007 |
| Number of folds | 0 |
| Suction cup material | Nitrile rubber NBR |
| Material hardness | 55 °Sh |
| Weight | 3.3 g |
| Product family | PFG |

Accessories



SU 30

Part no. 10.01.01.12889

Cover for suction cup

Size: 30

Clamping range: 27.0 ... 35.0 mm

Temperature resistance: 80 °C



SA-NIP N007 G1/8-AG DN240

Part no. 10.01.01.03531

Suction cup connection nipple

Nipple: N 007

Thread G1: G1/8-M

Overall length: 21.5 mm

Fitting length: 5 mm

Nominal size: 2,40 mm

Material: Aluminium

Spanner size SW2: 4 mm



SA-NIP N007 G1/8-IG DN350

Part no. 10.01.01.03523

Suction cup connection nipple

Nipple: N 007

Thread G1: G1/8-F

Overall length: 24.5 mm

Fitting length: 16 mm

Nominal size: 3,50 mm

Material: Aluminium

Spanner size SW2: 4 mm