

Flat suction cup (round)

<https://www.schmalz.com/10.01.01.11165>



PFG 30 HT1-60 N007

Part no.: 10.01.01.11165

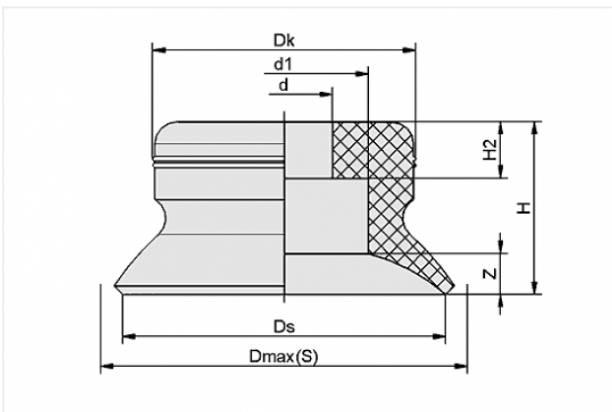
Homepage > Vacuum Technology for Automation > Vacuum Components > Vacuum Suction Cups > Flat Suction Cups (Round) > PFG 30 HT1-60 N007

Flat suction cup (round) for smooth or slightly rough surfaces



Size: 30
Suction cup material:
High temp material HT1
Material hardness: 60 °Sh
Material property: imprint-free

Design Data



Attribute	Value
-----------	-------

d	6 mm
d1	11 mm
Dk	15.1 mm
Dmax(S)	31.5 mm
Ds	28.8 mm
H	12 mm
H2	7 mm
Z	2 mm

Technical Data

Contact to Schmalz

J. Schmalz GmbH | Johannes-Schmalz-Straße, 72293 Glatten, Deutschland | +49 7443 2403-102 | customercenter@schmalz.de

Attribute	Value
Suction force	34 N
Volume	1.556 cm ³
Curve radius (min) (convex)	40 mm
Size	30
Nipple	N 007
Number of folds	0
Suction cup material	High temp material HT1
Material hardness	60 °Sh
Weight	3.5 g
Product family	PFG

Accessories



SU 30

Part no. 10.01.01.12889

Cover for suction cup

Size: 30

Clamping range: 27.0 ... 35.0 mm

Temperature resistance: 80 °C



SA-NIP N007 G1/8-AG DN240

Part no. 10.01.01.03531

Suction cup connection nipple

Nipple: N 007

Thread G1: G1/8-M

Overall length: 21.5 mm

Fitting length: 5 mm

Nominal size: 2,40 mm

Material: Aluminium

Spanner size SW2: 4 mm



SA-NIP N007 G1/8-IG DN350

Part no. 10.01.01.03523

Suction cup connection nipple

Nipple: N 007

Thread G1: G1/8-F

Overall length: 24.5 mm

Fitting length: 16 mm

Nominal size: 3,50 mm

Material: Aluminium

Spanner size SW2: 4 mm