

Flat suction cup (round)

<https://www.schmalz.com/10.01.01.00053>



PFG 25 PU-55 N007

Part no.: 10.01.01.00053

Homepage > Vacuum Technology for Automation > Vacuum Components > Vacuum Suction Cups > Flat Suction Cups (Round) > PFG 25 PU-55 N007

Flat suction cup (round) for smooth or slightly rough surfaces

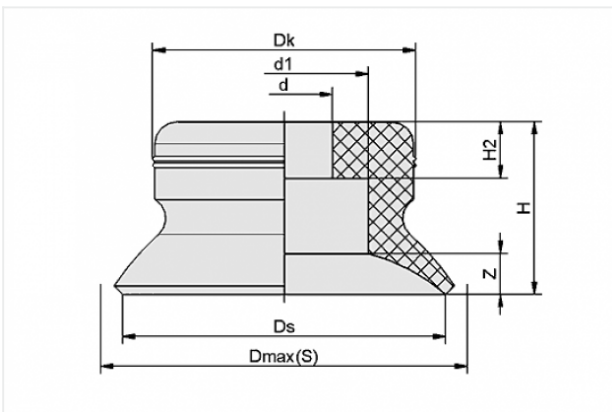


Size: 25

Suction cup material: Polyurethane PU

Material hardness: 55 °Sh

Design Data



Attribute	Value
-----------	-------

d	6 mm
---	------

d1	11 mm
----	-------

Dk	16.2 mm
----	---------

Dmax(S)	27.5 mm
---------	---------

Ds	25 mm
----	-------

H	14 mm
---	-------

H2	7 mm
----	------

Z	3 mm
---	------

Technical Data

Contact to Schmalz

J. Schmalz GmbH | Johannes-Schmalz-Straße, 72293 Glatten, Deutschland | +49 7443 2403-102 | customercenter@schmalz.de

Attribute	Value
Suction force	26.5 N
Volume	1.483 cm ³
Curve radius (min) (convex)	25 mm
Size	25
Nipple	N 007
Number of folds	0
Suction cup material	Polyurethane PU
Material hardness	55 °Sh
Weight	2.4 g
Product family	PFG

Accessories



SU 25

Part no. 10.01.01.13584

Cover for suction cup

Size: 25

Temperature resistance: 80 °C



SA-NIP N007 G1/8-AG DN240

Part no. 10.01.01.03531

Suction cup connection nipple

Nipple: N 007

Thread G1: G1/8-M

Overall length: 21.5 mm

Fitting length: 5 mm

Nominal size: 2,40 mm

Material: Aluminium

Spanner size SW2: 4 mm



SA-NIP N007 G1/8-IG DN350

Part no. 10.01.01.03523

Suction cup connection nipple

Nipple: N 007

Thread G1: G1/8-F

Overall length: 24.5 mm

Fitting length: 16 mm

Nominal size: 3,50 mm

Material: Aluminium

Spanner size SW2: 4 mm