

# Flat suction cup (round)

<https://www.schmalz.com/10.01.01.11164>



## PFG 25 HT1-60 N007

Part no.: 10.01.01.11164

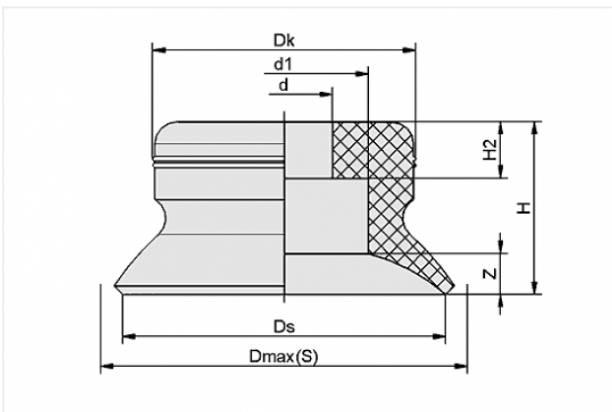
Homepage > Vacuum Technology for Automation > Vacuum Components > Vacuum Suction Cups > Flat Suction Cups (Round) > PFG 25 HT1-60 N007

### Flat suction cup (round) for smooth or slightly rough surfaces



Size: 25  
Suction cup material:  
High temp material HT1  
Material hardness: 60 °Sh  
Material property: imprint-free

### Design Data



Attribute	Value
-----------	-------

d	6 mm
d1	11 mm
Dk	16.2 mm
Dmax(S)	27.5 mm
Ds	25 mm
H	14 mm
H2	7 mm
Z	3 mm

### Technical Data

#### Contact to Schmalz

J. Schmalz GmbH | Johannes-Schmalz-Straße, 72293 Glatten, Deutschland | +49 7443 2403-102 | [customercenter@schmalz.de](mailto:customercenter@schmalz.de)

Attribute	Value
Suction force	26.5 N
Volume	1.483 cm <sup>3</sup>
Curve radius (min) (convex)	25 mm
Size	25
Nipple	N 007
Number of folds	0
Suction cup material	High temp material HT1
Material hardness	60 °Sh
Weight	2.4 g
Product family	PFG

## Accessories



### SU 25

Part no. 10.01.01.13584

Cover for suction cup

Size: 25

Temperature resistance: 80 °C



**SA-NIP N007 G1/8-AG DN240**

Part no. 10.01.01.03531

Suction cup connection nipple

Nipple: N 007

Thread G1: G1/8-M

Overall length: 21.5 mm

Fitting length: 5 mm

Nominal size: 2,40 mm

Material: Aluminium

Spanner size SW2: 4 mm



**SA-NIP N007 G1/8-IG DN350**

Part no. 10.01.01.03523

Suction cup connection nipple

Nipple: N 007

Thread G1: G1/8-F

Overall length: 24.5 mm

Fitting length: 16 mm

Nominal size: 3,50 mm

Material: Aluminium

Spanner size SW2: 4 mm