

Suction cup connection nipple

SA-NIP N007 G1/8-AG DN240

<https://www.schmalz.com/10.01.01.03531>



Part no.: 10.01.01.03531

Homepage > Vacuum Technology for Automation > Vacuum Components > Vacuum Suction Cups > Suction Cups for Packaging > SA-NIP N007

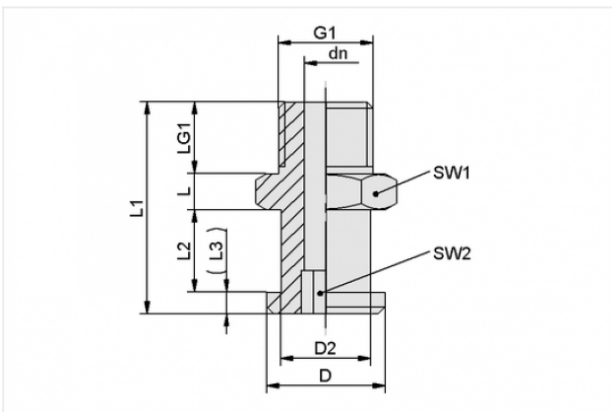
G1/8-AG DN240

Suction cup connection nipple



Nipple: N 007
 Thread G1: G1/8-M
 Overall length: 21.5 mm
 Fitting length: 5 mm
 Nominal size: 2,40 mm
 Material: Aluminium
 Spanner size SW2: 4 mm

Design Data



Attribute	Value
dn	2.4 mm
D	10 mm
D2	6.5 mm
G1	G1/8"-M
L	5 mm
L1	21.5 mm
L2	7 mm
L3	1.5 mm
LG1	8 mm
SW1	14 mm
SW2	4 mm

Contact to Schmalz

J. Schmalz GmbH | Johannes-Schmalz-Straße, 72293 Glatten, Deutschland | +49 7443 2403-102 | customercenter@schmalz.de

Technical Data

Attribute	Value
Nipple	N 007
Material	Aluminium
Weight	3.7 g

Accessories



PFG 25 FPM-65 N007

Part no. 10.01.01.00073

Flat suction cup (round) for smooth or slightly rough surfaces

Size: 25

Suction cup material:

Fluorocautchuc FPM

Material hardness: 65 °Sh

Material property: imprint-free



PFG 25 HT1-60 N007

Part no. 10.01.01.11164

Flat suction cup (round) for smooth or slightly rough surfaces

Size: 25

Suction cup material:

High temp material HT1

Material hardness: 60 °Sh

Material property: imprint-free



PFG 25 NBR-55 N007

Part no. 10.01.01.00013

Flat suction cup (round) for smooth or slightly rough surfaces

Size: 25

Suction cup material:

Nitrile rubber NBR

Material hardness: 55 °Sh



PFG 25 NBR-AS-55 N007

Part no. 10.01.01.10338

Flat suction cup (round) for smooth or slightly rough surfaces

Size: 25

Suction cup material:

Nitrile rubber NBR-antistat

Material hardness: 55 °Sh



PFG 25 PU-55 N007

Part no. 10.01.01.00053

Flat suction cup (round) for smooth or slightly rough surfaces

Size: 25

Suction cup material: Polyurethane PU

Material hardness: 55 °Sh



PFG 25 SI-55 N007

Part no. 10.01.01.00033

Flat suction cup (round) for smooth or slightly rough surfaces

Size: 25

Suction cup material: Silicone SI

Material hardness: 55 °Sh

Material characteristics:

FDA-compatible



PFG 30 FPM-65 N007

Part no. 10.01.01.00074

Flat suction cup (round) for smooth or slightly rough surfaces

Size: 30

Suction cup material:

Fluorocarbon FPM

Material hardness: 65 °Sh

Material property: imprint-free



PFG 30 HT1-60 N007

Part no. 10.01.01.11165

Flat suction cup (round) for smooth or slightly rough surfaces

Size: 30

Suction cup material:

High temp material HT1

Material hardness: 60 °Sh

Material property: imprint-free



PFG 30 NBR-55 N007

Part no. 10.01.01.00014

Flat suction cup (round) for smooth or slightly rough surfaces

Size: 30

Suction cup material:

Nitrile rubber NBR

Material hardness: 55 °Sh



PFG 30 NBR-AS-55 N007

Part no. 10.01.01.10339

Flat suction cup (round) for smooth or slightly rough surfaces

Size: 30

Suction cup material:

Nitrile rubber NBR-antistat

Material hardness: 55 °Sh



PFG 30 PU-55 N007

Part no. 10.01.01.00054

Flat suction cup (round) for smooth or slightly rough surfaces

Size: 30

Suction cup material: Polyurethane PU

Material hardness: 55 °Sh



PFG 30 SI-55 N007

Part no. 10.01.01.00034

Flat suction cup (round) for smooth or slightly rough surfaces

Size: 30

Suction cup material: Silicone SI

Material hardness: 55 °Sh

Material characteristics:

FDA-compatible



PFG 35 FPM-65 N007

Part no. 10.01.01.00075

Flat suction cup (round) for smooth or slightly rough surfaces

Size: 35

Suction cup material:

Fluorocautchuc FPM

Material hardness: 65 °Sh

Material property: imprint-free



PFG 35 HT1-60 N007

Part no. 10.01.01.11166

Flat suction cup (round) for smooth or slightly rough surfaces

Size: 35

Suction cup material:

High temp material HT1

Material hardness: 60 °Sh

Material property: imprint-free



PFG 35 NBR-55 N007

Part no. 10.01.01.00015

Flat suction cup (round) for smooth or slightly rough surfaces

Size: 35

Suction cup material:

Nitrile rubber NBR

Material hardness: 55 °Sh



PFG 35 NBR-AS-55 N007

Part no. 10.01.01.10340

Flat suction cup (round) for smooth or slightly rough surfaces

Size: 35

Suction cup material:

Nitrile rubber NBR-antistat

Material hardness: 55 °Sh



PFG 35 PU-55 N007

Part no. 10.01.01.00055

Flat suction cup (round) for smooth or slightly rough surfaces

Size: 35

Suction cup material: Polyurethane PU

Material hardness: 55 °Sh

**PFG 35 SI-55 N007**

Part no. 10.01.01.00035

Flat suction cup (round) for smooth or slightly rough surfaces

Size: 35

Suction cup material: Silicone SI

Material hardness: 55 °Sh

Material characteristics:

FDA-compatible

**PFG 40 FPM-65 N007**

Part no. 10.01.01.00076

Flat suction cup (round) for smooth or slightly rough surfaces

Size: 40

Suction cup material:

Fluorocarbon FPM

Material hardness: 65 °Sh

Material property: imprint-free

**PFG 40 HT1-60 N007**

Part no. 10.01.01.11167

Flat suction cup (round) for smooth or slightly rough surfaces

Size: 40

Suction cup material:

High temp material HT1

Material hardness: 60 °Sh

Material property: imprint-free



PFG 40 NBR-55 N007

Part no. 10.01.01.00016

Flat suction cup (round) for smooth or slightly rough surfaces

Size: 40

Suction cup material:

Nitrile rubber NBR

Material hardness: 55 °Sh



PFG 40 NBR-AS-55 N007

Part no. 10.01.01.10341

Flat suction cup (round) for smooth or slightly rough surfaces

Size: 40

Suction cup material:

Nitrile rubber NBR-antistat

Material hardness: 55 °Sh



PFG 40 PU-55 N007

Part no. 10.01.01.00056

Flat suction cup (round) for smooth or slightly rough surfaces

Size: 40

Suction cup material: Polyurethane PU

Material hardness: 55 °Sh



PFG 40 SI-55 N007

Part no. 10.01.01.00036

Flat suction cup (round) for smooth or slightly rough surfaces

Size: 40

Suction cup material: Silicone SI

Material hardness: 55 °Sh

Material characteristics:

FDA-compatible