

## Flat suction cup (round)

### SUF 12 NBR-ESD-55 M5-AG

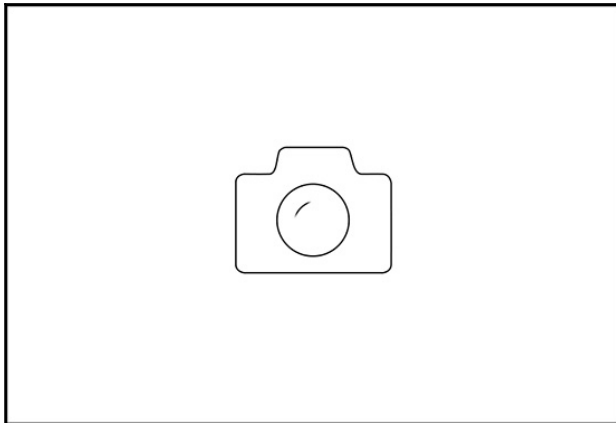
Part no.:10.01.01.14160

<https://www.schmalz.com/10.01.01.14160>

Homepage > Vacuum Technology for Automation > Vacuum Components > Vacuum Suction Cups > Flat suction cup (round) > Flat Suction

Cups SUF > SUF 12 NBR-ESD-55 M5-AG

## Flat suction cup (round) for process safe handling of smooth or slightly rough surfaces



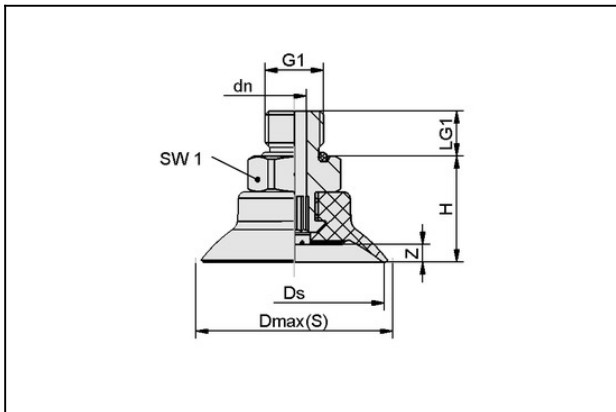
Size: 12

Suction cup material:

Nitrile rubber NBR-dissipative

Material hardness: 55 °Sh

### Design Data



Attribute	Value
Dmax(S)	13.2 mm
Ds	12 mm
dn	1.8 mm
G1	M5-M
H	13.6 mm
LG1	4.7 mm
SW1	8 mm
Z (Stroke)	1.2 mm

### Technical Data

#### Contact to Schmalz

J. Schmalz GmbH | Johannes-Schmalz-Straße, 72293 Glatten, Deutschland | +49 7443 2403-102 | [customercenter@schmalz.de](mailto:customercenter@schmalz.de)

## Flat suction cup (round)

### SUF 12 NBR-ESD-55 M5-AG

Part no.:10.01.01.14160

<https://www.schmalz.com/10.01.01.14160>

Attribute	Value
Size	12
Suction cup material	Nitrile rubber NBR-dissipative
Material hardness [Shore A]	55.0 Shore A
Abreißkraft (real)	5.4 N

---

### Spare Parts



#### SC 030 M5-AG

Part no.10.01.06.02802

Connection element for suction cup "SchmalzConnector"

Connection geometry: 030

Vacuum connection: M5-M

Overall length: 15.5 mm

Fitting length: 5 mm

Nominal diameter dn: 1.8 mm