

Flat suction cup (round)

SUF 10 NBR-ESD-55 M5-IG

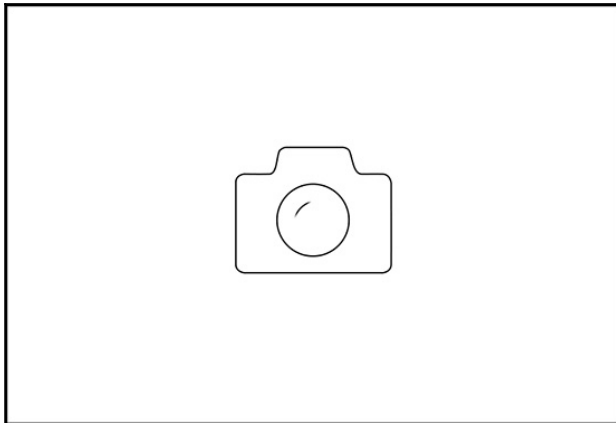
Part no.:10.01.01.14162

<https://www.schmalz.com/10.01.01.14162>

Homepage > Vacuum Technology for Automation > Vacuum Components > Vacuum Suction Cups > Flat suction cup (round) > Flat Suction

Cups SUF > SUF 10 NBR-ESD-55 M5-IG

Flat suction cup (round) for process safe handling of smooth or slightly rough surfaces



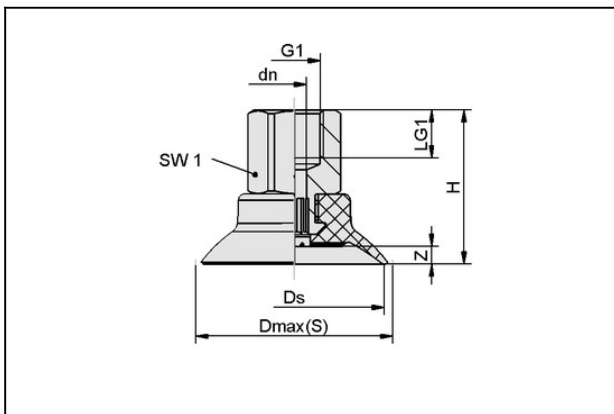
Size: 10

Suction cup material:

Nitrile rubber NBR-dissipative

Material hardness: 55 °Sh

Design Data



Attribute	Value
Dmax(S)	11.2 mm
Ds	10 mm
dn	3.1 mm
G1	M5-F
H	18.4 mm
LG1	5.5 mm
SW1	8 mm
Z (Stroke)	1 mm

Technical Data

Contact to Schmalz

J. Schmalz GmbH | Johannes-Schmalz-Straße, 72293 Glatten, Deutschland | +49 7443 2403-102 | customercenter@schmalz.de

Flat suction cup (round)

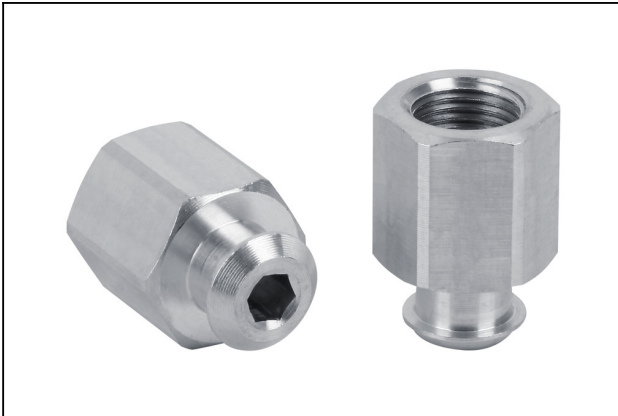
SUF 10 NBR-ESD-55 M5-IG

Part no.:10.01.01.14162

<https://www.schmalz.com/10.01.01.14162>

Attribute	Value
Size	10
Suction cup material	Nitrile rubber NBR-dissipative
Material hardness [Shore A]	55.0 Shore A
Abreißkraft (real)	3.9 N

Spare Parts



SC 030 M5-IG

Part no.10.01.06.03440

Connection element for suction cup "SchmalzConnector"

Connection geometry: 030

Vacuum connection: M5-F

Overall length: 15.8 mm

Fitting length: 10 mm

Nominal diameter dn: 3.1 mm