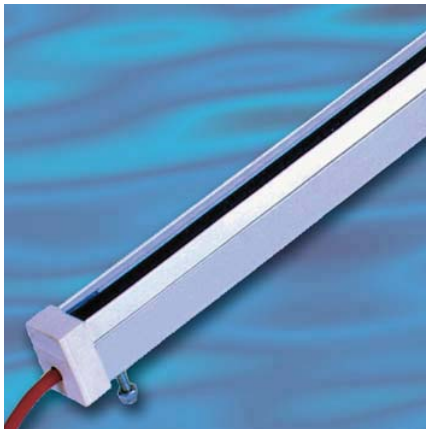


ANTI-STATIC BARS

Static eliminator bars produce an intense field of ionised air for shorter range static neutralisation. They are the most popular type of static eliminator. They are used to neutralise webs, sheets and shallow 3-dimensional products throughout the plastics, packaging, converting, moulding, textile and related industries. Neutralizes static charge at a distance of 20mm-50mm.

ANTI-STATIC ELIMINATOR BARS



Model No.

AB150
AB300
AB450
AB600
AB750
AB900

Construction: Anodised aluminium, stainless steel emitter pins, PVC, epox resin.

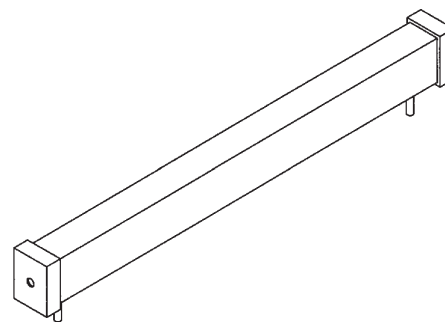
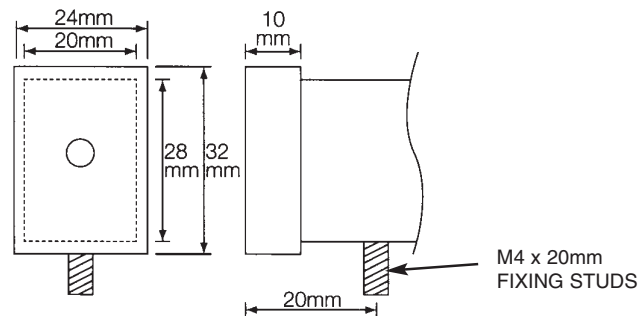
STD Lengths: 150mm, 300mm, 450mm, 600mm, 750mm, 900mm
Lengths to 4m available
Effective length is 40mm less than overall length

Cable: 2m of HT cable, unless otherwise specified

Power Unit: Use with PU502 or PU504

Options: Combination Bar with PassiveDischarger.
Air assistance for extra range

Safety: Resistively coupled for shockless operation



The Anti-Static Eliminator Bar offers static neutralisation at distances from 20mm to 150mm. It offers new levels of cost-effective performance.