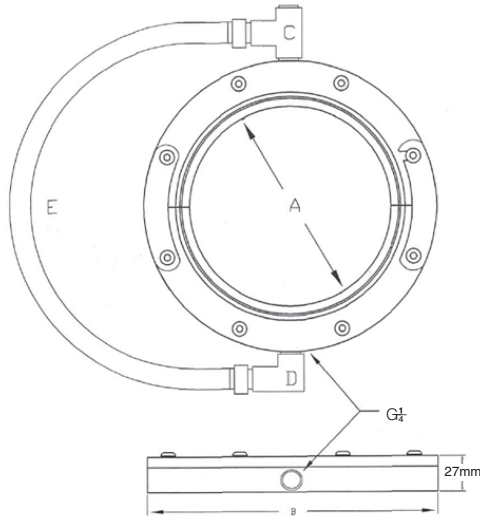


## RING BLADE AIR WIPE SYSTEM



**ALUMINIUM RING BLADE WITH STANDARD AIR HOSE**



**Material:** Aluminium.

**Standard Gap:** 0.05mm

**dB(A) at:** 5.5 bar is 80

**Shims:** 0.10mm optional extra

**Standard Inlet Threads:** G $\frac{1}{4}$

**Options:**  $\frac{1}{4}$ " NPT

Please specify on order  $\frac{1}{4}$ " NPTF

PART NO.	A	B	Description	Weight
RB1AL	25mm	57mm	Aluminium Ring Blade	0.20Kg
RB2AL	52mm	120mm	Aluminium Ring Blade	0.35Kg
RB3AL	77mm	146mm	Aluminium Ring Blade	0.60Kg
RB4AL	103mm	171mm	Aluminium Ring Blade	0.70Kg

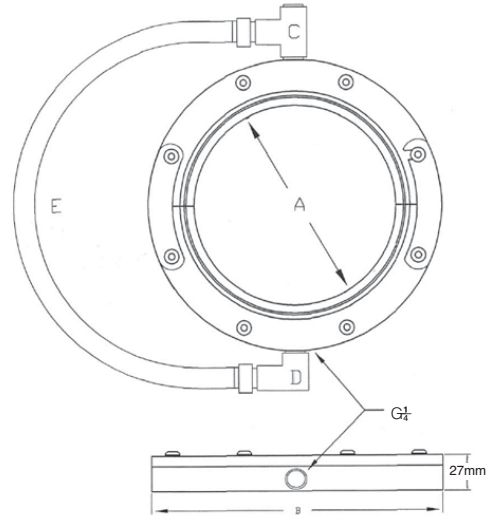
INLET PRESSURE BAR	Air Consumption in SCFM with standard 0.05mm gap					Air Consumption in SCFM with 0.10mm gap (shim added)				
	25.4 mm	50.8 mm	76.2 mm	101.6 mm	152.4 mm	25.4 mm	50.8 mm	76.2 mm	101.6 mm	152.4 mm
DIA. A	m <sup>3</sup> /min	m <sup>3</sup> /min	m <sup>3</sup> /min	m <sup>3</sup> /min	m <sup>3</sup> /min	m <sup>3</sup> /min	m <sup>3</sup> /min	m <sup>3</sup> /min	m <sup>3</sup> /min	m <sup>3</sup> /min
1 BAR	0.34	0.45	0.57	0.68	0.88	0.65	0.85	0.85	1.28	1.70
2 BAR	0.51	0.68	0.85	1.02	1.36	1.02	1.36	1.70	2.04	2.55
3 BAR	0.71	0.94	1.16	1.39	1.84	1.67	2.21	2.78	3.32	4.42
4 BAR	0.88	1.16	1.45	1.73	2.32	1.73	2.30	2.86	3.43	4.56
5 BAR	1.05	1.39	1.76	2.10	2.78	2.21	2.75	3.46	4.42	5.50
6 BAR	1.22	1.64	2.04	2.44	3.26	2.24	3.23	4.05	4.85	6.46

Based on an amplification ratio of 30:1 air flow output would be 30 times the above.

## RING BLADE AIR WIPE SYSTEM



**HIGH TEMPERATURE ALUMINIUM RING BLADE WITH STAINLESS STEEL HOSE TO (205°C)**



**Material:** Aluminium & Stainless Steel.

**Standard Gap:** 0.05mm

**dB(A) at:** 5.5 bar is 80

**Shims:** 0.10mm optional extra

**Standard Inlet Threads:** G $\frac{1}{4}$

**Options:**  $\frac{1}{4}$ " NPT  
Please specify on order  $\frac{1}{4}$ " NPTF

PART NO.	A	B	Description	Weight
RB1ALX	25mm	57mm	Aluminium Ring Blade	0.20Kg
RB2ALX	52mm	120mm	Aluminium Ring Blade	0.35Kg
RB3ALX	77mm	146mm	Aluminium Ring Blade	0.60Kg
RB4ALX	103mm	171mm	Aluminium Ring Blade	0.70Kg

INLET PRESSURE BAR	Air Consumption in SCFM with standard 0.05mm gap					Air Consumption in SCFM with 0.10mm gap (shim added)				
	25.4 mm	50.8 mm	76.2 mm	101.6 mm	152.4 mm	25.4 mm	50.8 mm	76.2 mm	101.6 mm	152.4 mm
DIA. A	m <sup>3</sup> /min	m <sup>3</sup> /min	m <sup>3</sup> /min	m <sup>3</sup> /min	m <sup>3</sup> /min	m <sup>3</sup> /min	m <sup>3</sup> /min	m <sup>3</sup> /min	m <sup>3</sup> /min	m <sup>3</sup> /min
1 BAR	0.34	0.45	0.57	0.68	0.88	0.65	0.85	0.85	1.28	1.70
2 BAR	0.51	0.68	0.85	1.02	1.36	1.02	1.36	1.70	2.04	2.55
3 BAR	0.71	0.94	1.16	1.39	1.84	1.67	2.21	2.78	3.32	4.42
4 BAR	0.88	1.16	1.45	1.73	2.32	1.73	2.30	2.86	3.43	4.56
5 BAR	1.05	1.39	1.76	2.10	2.78	2.21	2.75	3.46	4.42	5.50
6 BAR	1.22	1.64	2.04	2.44	3.26	2.24	3.23	4.05	4.85	6.46

Based on an amplification ratio of 30:1 air flow output would be 30 times the above.